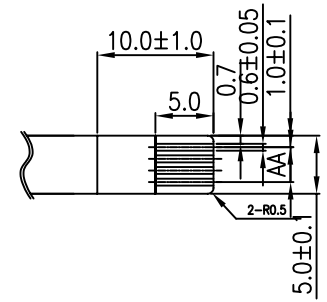
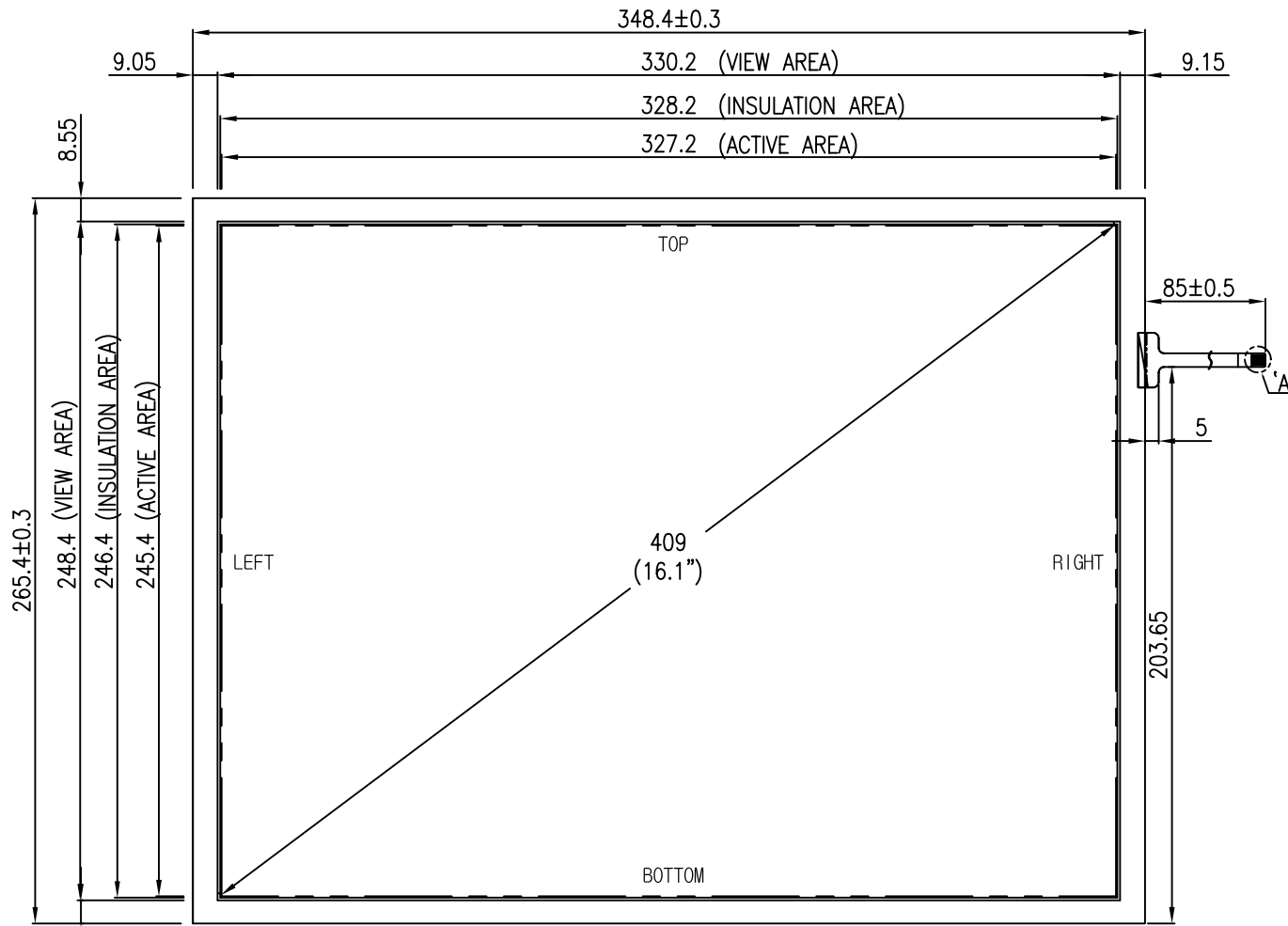
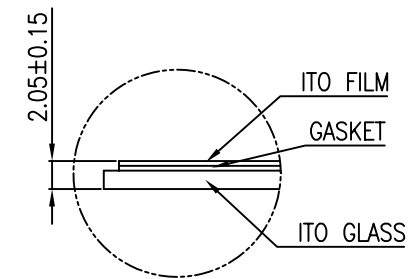


REV.NO.	REVISED	DATE	DRAWN	CHECKED	APPROVED
0	NEW DRAW	01.07.23	WJ.KIM		



AA=P1.0X3=3.0±0.1 (W=0.6)

DETAIL A



DETAIL B

NOTE

- 1) TYPE : CLEAR TYPE
- 2) GLASS THICKNESS : 1.8t
- 3) FILM THICKNESS : 175/188 μ m
- 4) CONNECTOR : FPC
- 5) GENERAL TOLERANCE : ± 0.3

STIFFENER
CONTACT SIDE

TERMINAL	
NO	SYMBOL
1	LEFT
2	TOP
3	RIGHT
4	BOTTOM

NOTE: The HantouchUSA Incoming Inspection Standard is part of this drawing. This quality and performance document can be viewed at: www.hantouchusa.com, under Incoming Inspection Standards.

16.1" TOUCH PANEL

SCALE : NONE

Web-Site @ www.hantouchusa.com

APPROVE		UNIT	mm	PROJECTION	DRAWING NO.	REV.
CHECK		SCALE	NONE		HT161A-NEOOB87	
DESIGN	<i>Khangja</i>	 Han touch USA Touch Screen Specialists		DESCRIPTION	16.1" TOUCH PANEL	SHEET
DRAW				1/1		