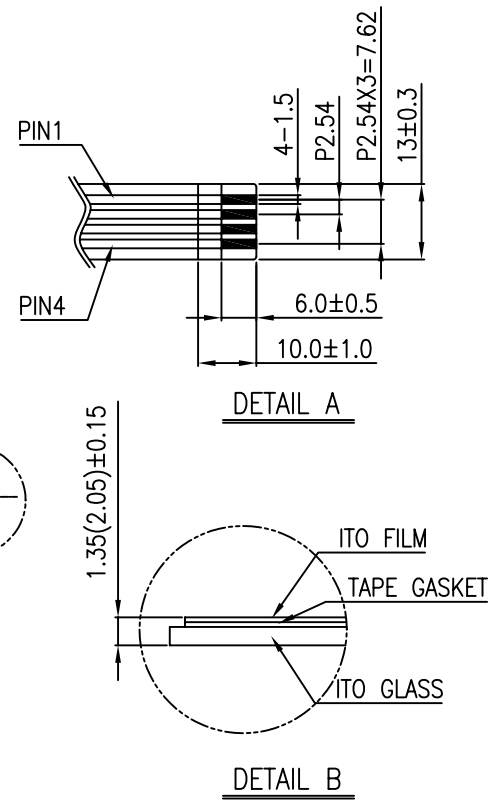
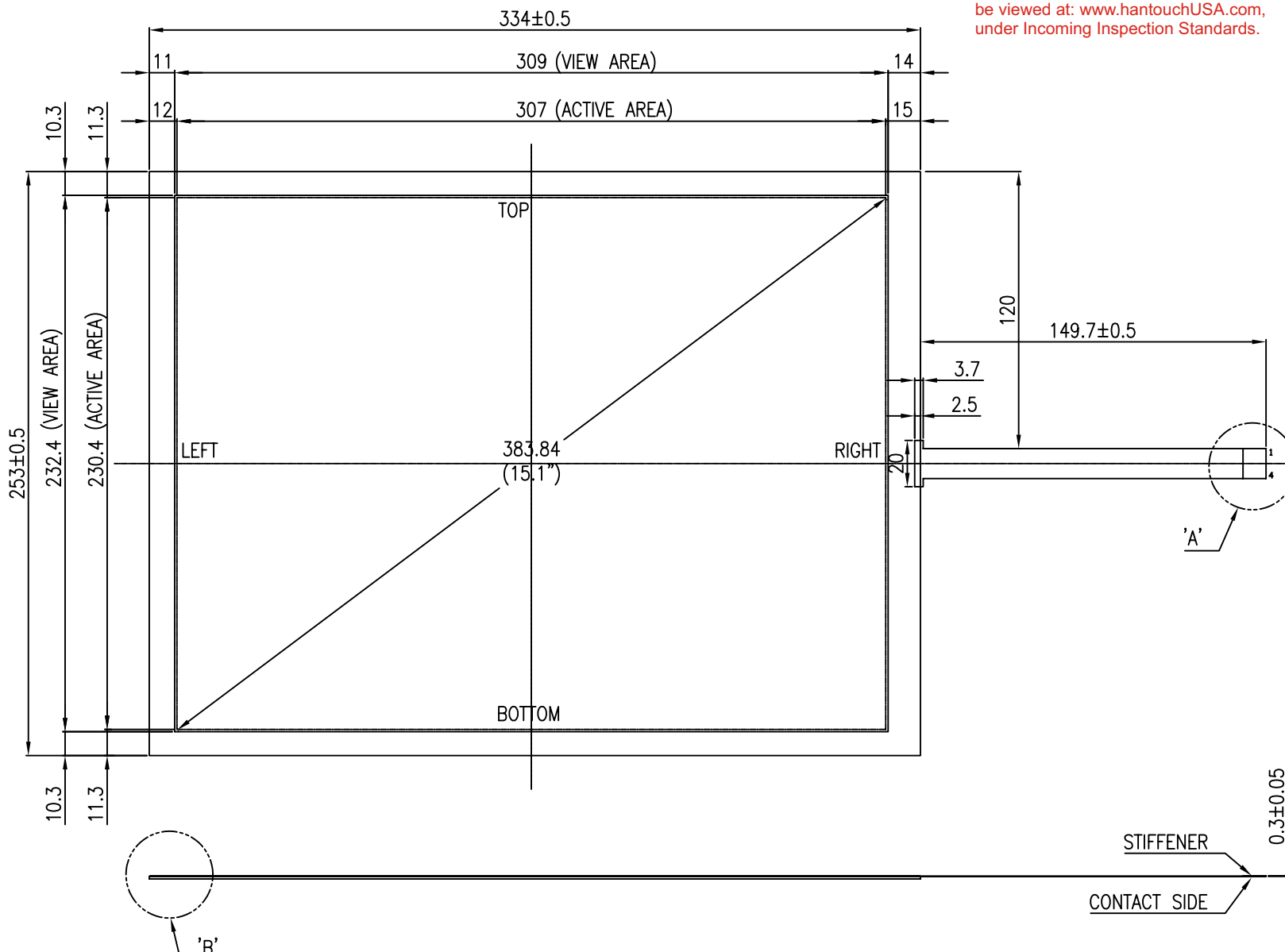


NOTE: The HantouchUSA Incoming Inspection Standard is part of this drawing. This quality and performance document can be viewed at: www.hantouchUSA.com, under Incoming Inspection Standards.

REV.NO.	REVISED	DATE	DRAWN	CHECKED	APPROVED
0	NEW DRAW	01.03.03	WJ.KIM		
1	FILM TYPE CHANGE CELAR →NON GLARE	01.06.21	WJ.KIM		
2	O/A SIZE CHANGE 329X249 →334X253	01.07.09	WJ.KIM		

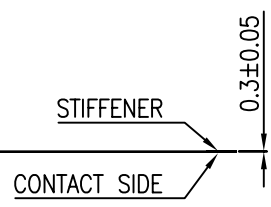


- NOTE**
- 1) TYPE : NON GLARE TYPE
 - 2) GLASS THICKNESS : 1.1/1.8t
 - 3) FILM THICKNESS : 175/188 μ m
 - 4) CONNECTOR : FPC
 - 5) GENERAL TOLERANCE : ± 0.5

TERMINAL	
NO	SYMBOL
1	LEFT
2	TOP
3	RIGHT
4	BOTTOM

15.1" TOUCH PANEL

SCALE : NONE



APPROVE	UNIT	mm	PROJECTION	DRAWING NO.	REV.
CHECK	SCALE	NONE		HT151A-NEOFS52	
DESIGN	 HantouchUSA Touch Screen Specialists		DESCRIPTION		SHEET
DRAW			15.1" TOUCH PANEL		1/1