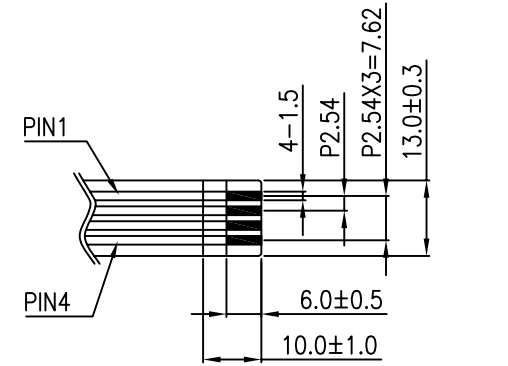
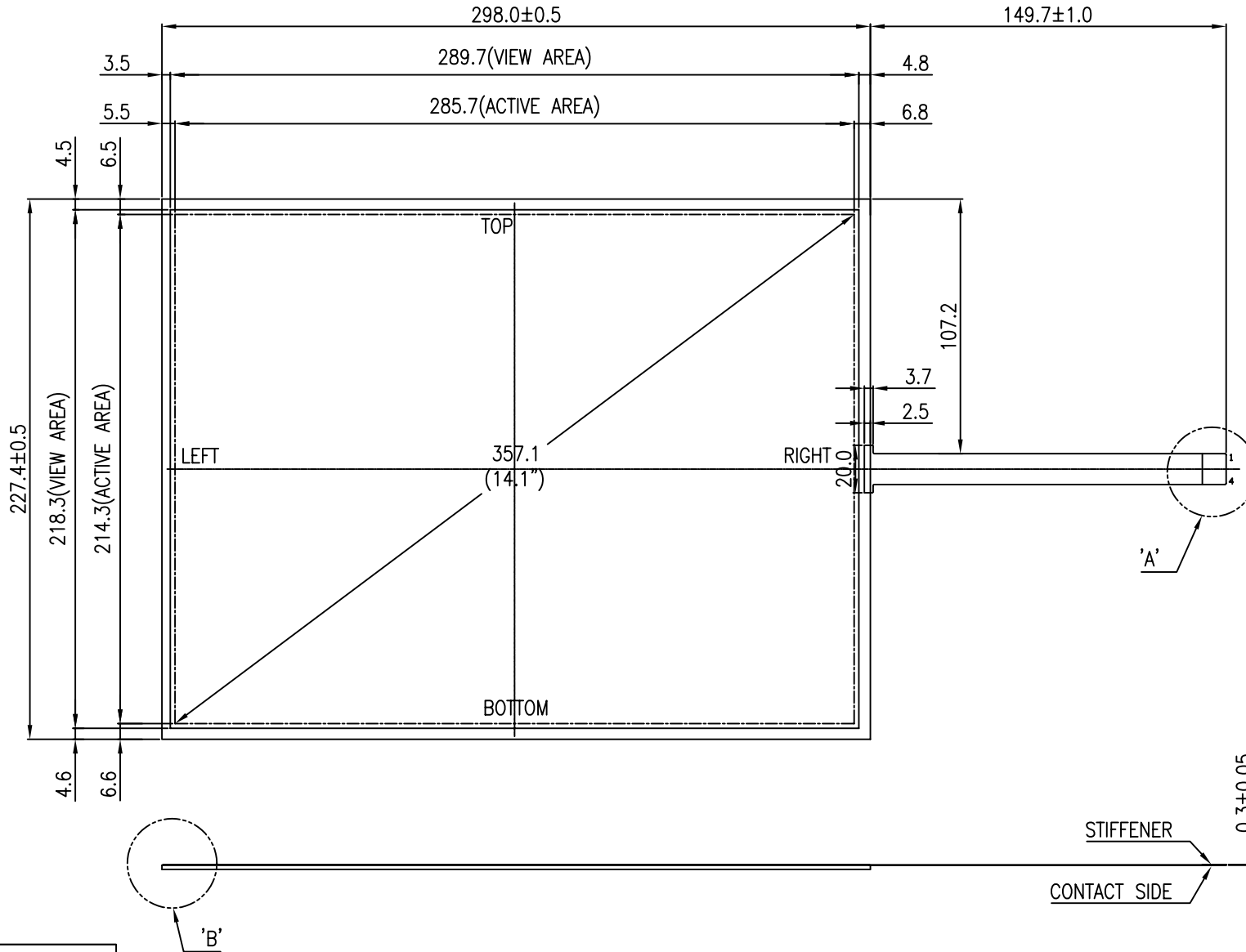


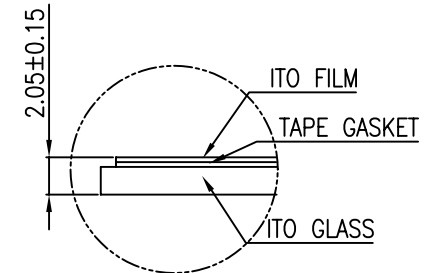
NOTE: The HantouchUSA Incoming Inspection Standard is part of this drawing.
 This quality and performance document can be viewed at:
www.hantouchUSA.com, under Incoming Inspection Standards.

REV.NO.	REVISED	DATE	DRAWN	CHECKED	APPROVED
0	NEW DRAW	02.09.06	WJ.KIM		

RoHS Compliant



DETAIL A



DETAIL B

NOTE

- 1) TYPE : NON-GLARE TYPE
- 2) GLASS THICKNESS : 1.8t
- 3) FILM THICKNESS : 175/188 μ m
- 4) CONNECTOR : FPC
- 5) GENERAL TOLERANCE : ± 0.3

TERMINAL	
NO	SYMBOL
1	LEFT
2	TOP
3	RIGHT
4	BOTTOM

Web-Site @
www.hantouchusa.com

14.1" TOUCH PANEL

SCALE : NONE

APPROVE	UNIT	PROJECTION	DRAWING NO.	REV.
	mm		HT141A-NEOFS52	
CHECK	SCALE	NONE	DESCRIPTION	SHEET
DESIGN	<i>Kimjia</i>	HantouchUSA	14.1" TOUCH PANEL	1/1
DRAW		Touch Screen Specialists		