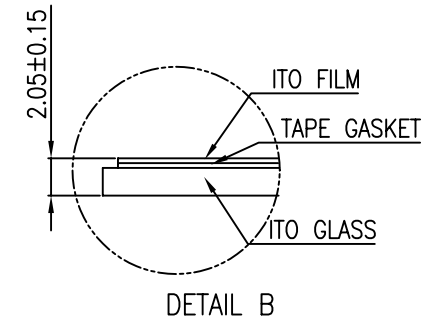
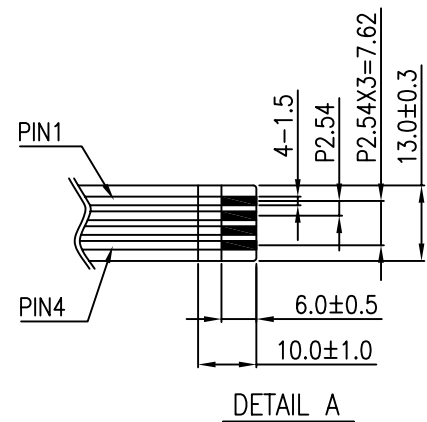
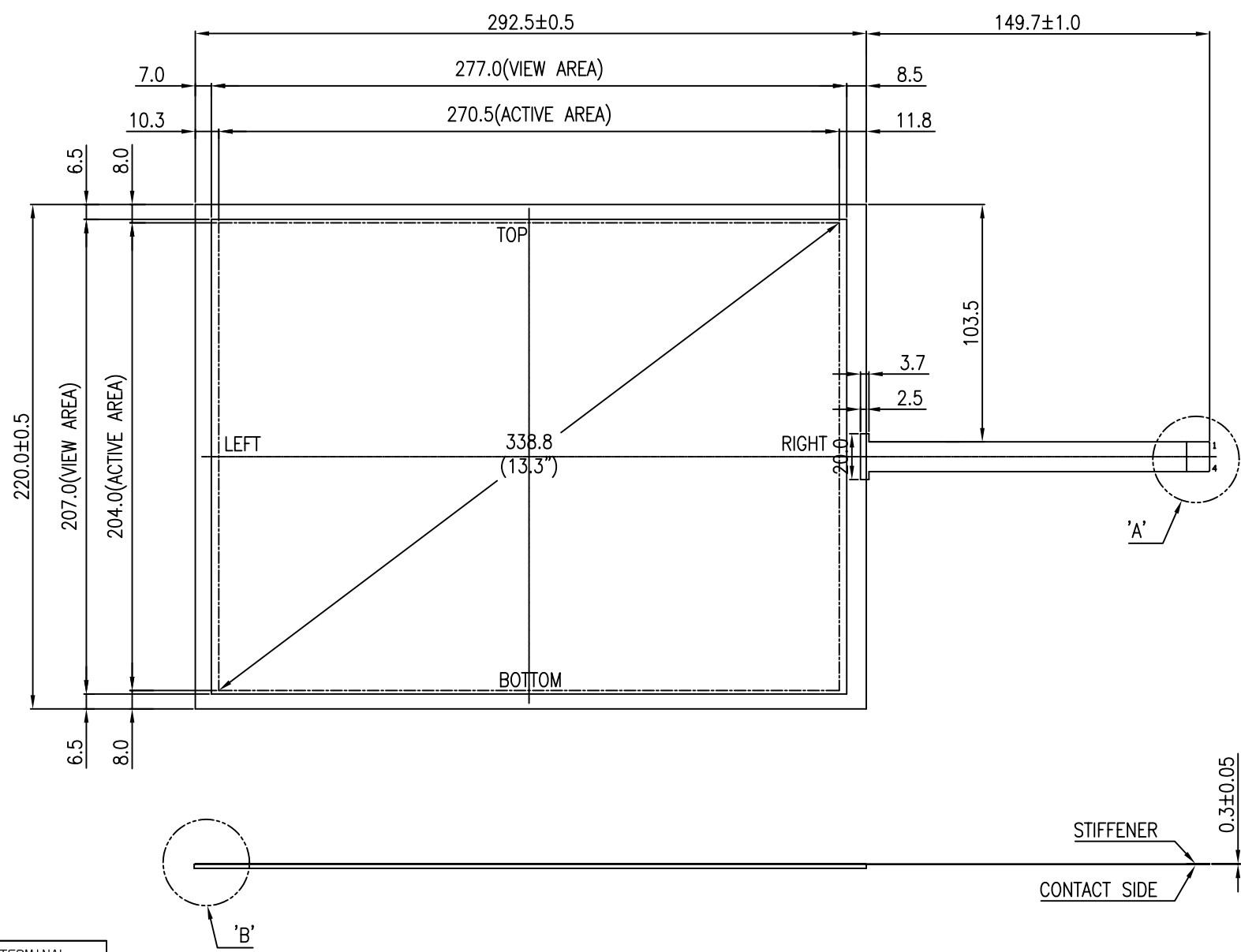


REV.NO.	REVISED	DATE	DRAWN	CHECKED	APPROVED
0	NEW DRAW	02.05.09	WJ.KIM		

**RoHS Compliant**



- NOTE**
- 1) TYPE : NON-GLARE TYPE
  - 2) GLASS THICKNESS : 1.8t
  - 3) FILM THICKNESS : 175/188 $\mu$ m
  - 4) CONNECTOR : FPC
  - 5) GENERAL TOLERANCE : ±0.5

TERMINAL	
NO	SYMBOL
1	LEFT
2	TOP
3	RIGHT
4	BOTTOM

**NOTE:** The HantouchUSA Incoming Inspection Standard is part of this drawing. This quality and performance document can be viewed at: [www.hantouchUSA.com](http://www.hantouchUSA.com), under Incoming Inspection Standards.

**13.3" TOUCH PANEL**

SCALE : NONE

**Web-Site @**  
[www.hantouchusa.com](http://www.hantouchusa.com)

APPROVE	UNIT	mm	PROJECTION	DRAWING NO.	REV.
CHECK	SCALE	NONE		HT133A-NEOFS52	
DESIGN	<i>Kimjia</i>	<b>Han touch USA</b>		DESCRIPTION	SHEET
DRAW		Touch Screen Specialists		13.3" TOUCH PANEL	1/1