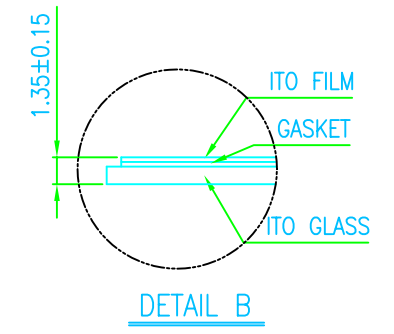
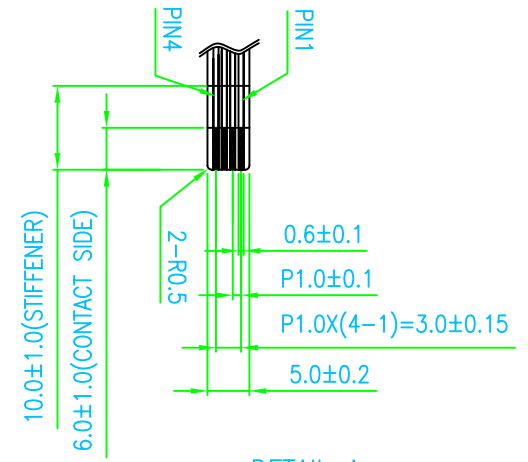
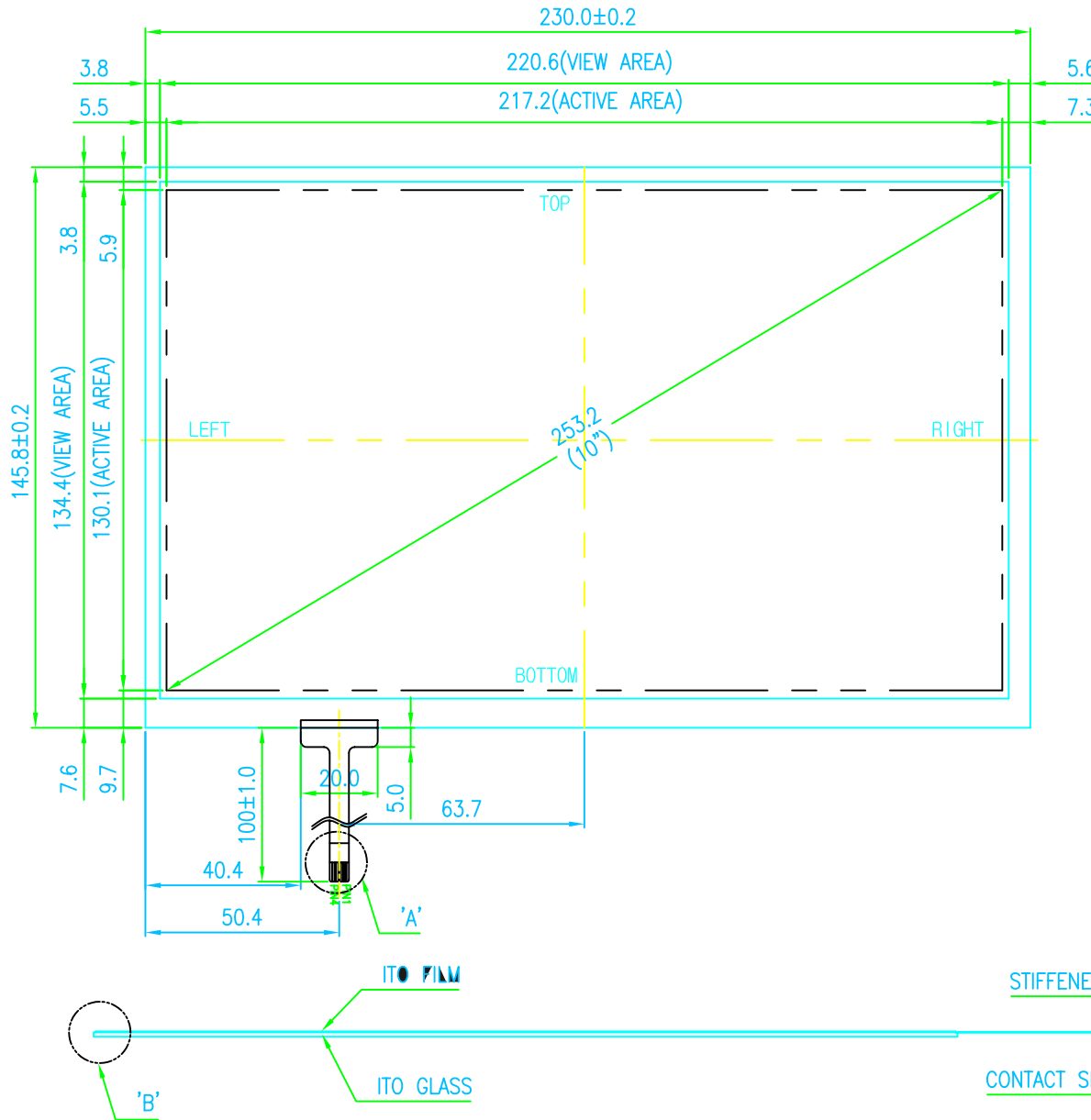


RoHS Compliant

REV.NO.	REVISED	DATE	DRAWN	CHECKED	APPROVED
0	NEW DRAW	04.12.02	KB.KIM		
1	Active 위치변경	05.01.13	KB.KIM		



- NOTE
- 1) TYPE : NON-GLARE TYPE
 - 2) GLASS THICKNESS : 1.1t
 - 3) FILM THICKNESS : 175/188 ±10_{μm}
 - 4) CONNECTOR : FPC
 - 5) GENERAL TOLERANCE : ±0.2

TERMINAL	
NO	SYMBOL
1	LEFT
2	BOTTOM
3	RIGHT
4	TOP

10" TOUCH PANEL

SCALE : NONE

Web-Site @
www.hantouchusa.com

NOTE: The HantouchUSA Incoming Inspection Standard is part of this drawing. This quality and performance document can be viewed at: www.hantouchUSA.com, under Incoming Inspection Standards.

APPROVE		UNIT	mm	PROJECTION	DRAWING NO.	REV.
CHECK		SCALE	NONE		HT100A-NDOBP02	
DESIGN				DESCRIPTION		SHEET
DRAW				10" TOUCH PANEL		1/1