

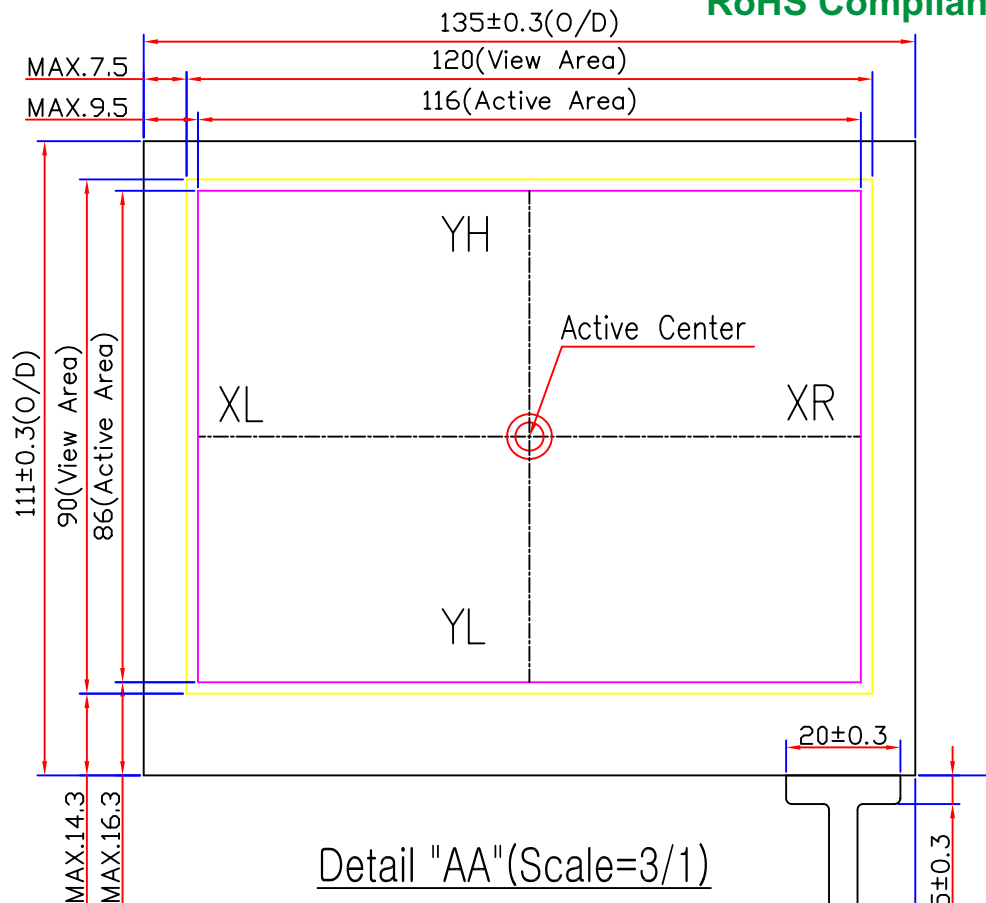
**NOTE:** The HantouchUSA Incoming Inspection Standard is part of this drawing. This quality and performance document can be viewed at: [www.hantouchUSA.com](http://www.hantouchUSA.com), under Incoming Inspection Standards.

**RoHS Compliant**

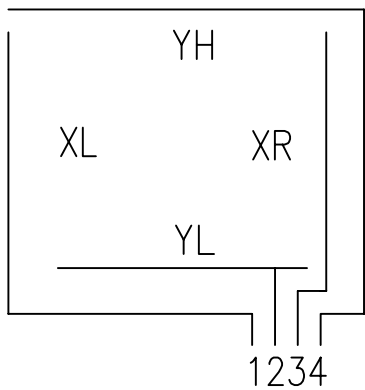
REV.NO.	REVISED	DATE	DRAWN	CHECKED	APPROVED
0	NEW DRAW	04.03.15	J.H.LEE		
1	5mm -> 7mm	04.03.17	J.H.LEE		

**REMARK**

- 1.Glass Thk:1.8mm
- 2.Film Type:Non\_Glare
- 3.Total Thk:2.05±0.15
- 4.Linearity:±1.5 or less
- 5.Transmittance:80% or more
- 6.Resistance  
240<Glass(Y)<560 ohm  
320<Film(X)<740 ohm
- 7.Connector:FPC

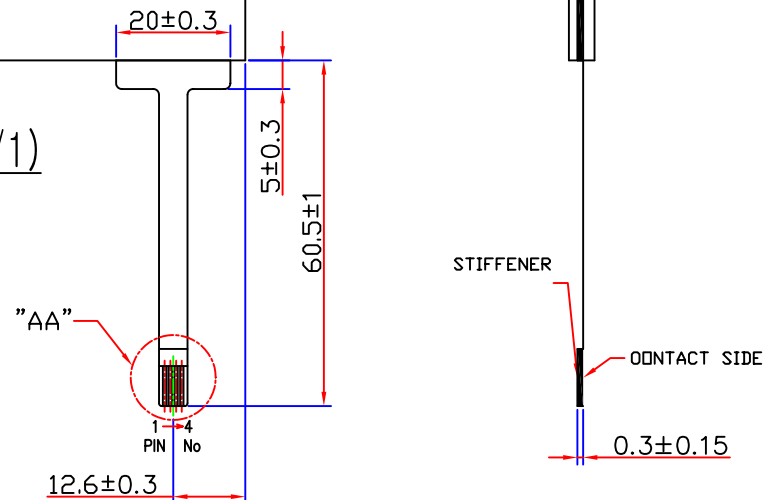
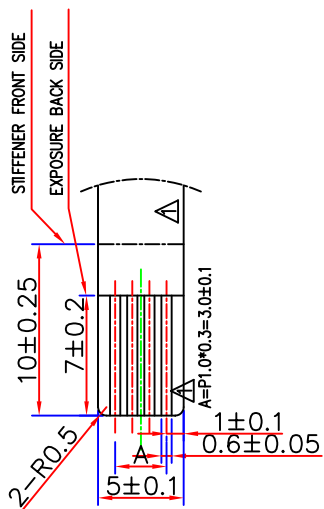


**CIRCUIT DIAGRAM**



**SIGNAL ASSIGNMENT**

Pin No	Signal
1	XL
2	YL
3	XR
4	YH



**Web-Site @**  
[www.hantouchusa.com](http://www.hantouchusa.com)

APPROVE	UNIT	mm	PROJECTION	DRAWING NO.	REV.
	SCALE	NONE		HT057A-NEOFD62	
DESIGN	<b>HantouchUSA</b>			DESCRIPTION	SHEET
DRAW	Touch Screen Specialists			5.7TOUCH PANEL	1/1