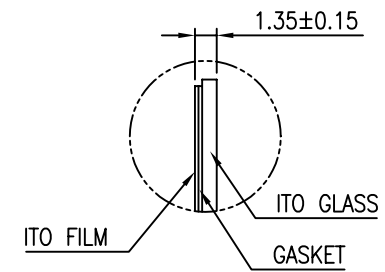
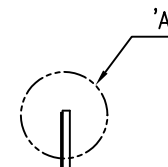
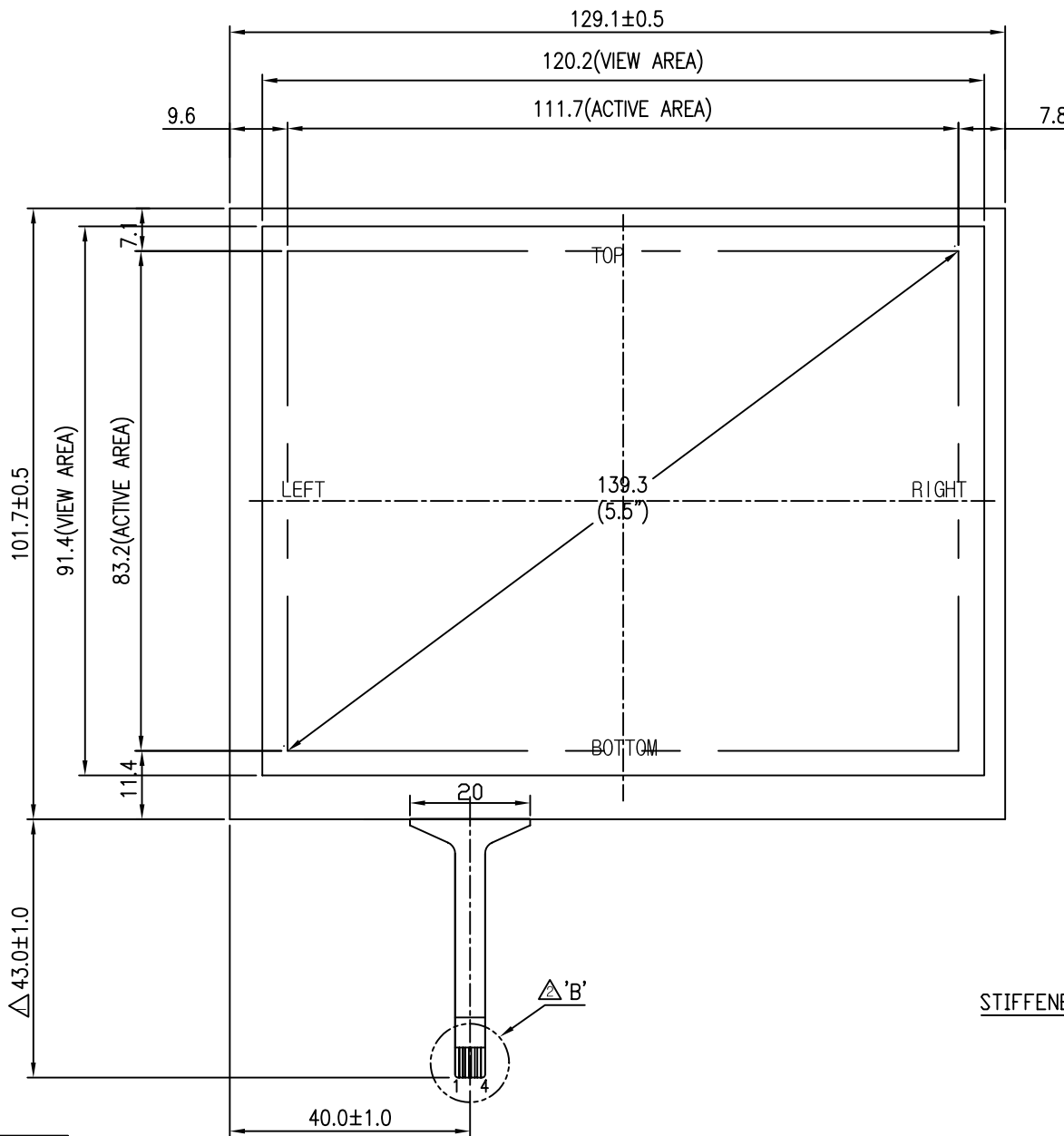
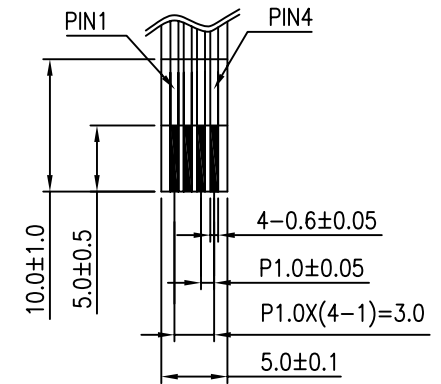


RoHS Compliant

REV.NO.	REVISED	DATE	DRAWN	CHECKED	APPROVED
0	NEW DRAW	02.04.13	WJ.KIM		
△	5.7인치→5.5인치	04.09.08	KB.KIM		
△	FPC Change(C45→F45)	06.05.08	H.Y.IM		



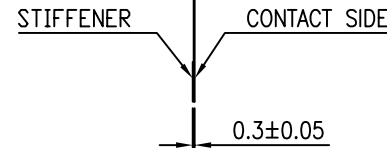
△ DETAIL A



DETAIL B

NOTE

- 1) TYPE : NON-GLARE TYPE
- 2) GLASS THICKNESS : 1.1t
- 3) FILM THICKNESS : 175/188 ±10 μ m
- 4) CONNECTOR : FPC
- 5) GENERAL TOLERANCE : ±0.3



TERMINAL	
NO	SYMBOL
1	TOP
2	LEFT
3	BOTTOM
4	RIGHT

Web-Site @
www.hantouchusa.com

5.5" TOUCH PANEL

SCALE : NONE

NOTE: The HantouchUSA Incoming Inspection Standard is part of this drawing. This quality and performance document can be viewed at: www.hantouchUSA.com, under Incoming Inspection Standards.

APPROVE	UNIT	mm	PROJECTION	DRAWING NO.	REV.
CHECK	SCALE	NONE		HT055A-ND0FG45	
DESIGN				DESCRIPTION	SHEET
DRAW				5.5" TOUCH PANEL	1/1