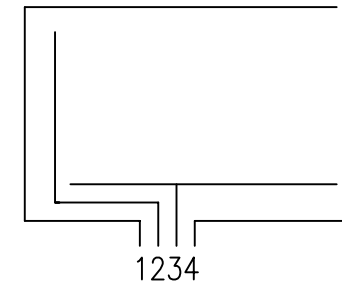


REMARK

1. Glass Thk: 1.1mm
2. Film Type: Non_Glare
3. Total Thk: 1.35 ± 0.15
4. Linearity: ± 1.5 or less
5. Transmittance: 80% or more
6. Resistance
 $200 < \text{Glass}(Y) < 900 \text{ ohm}$
 $200 < \text{Film}(X) < 900 \text{ ohm}$
7. Connector: FPC

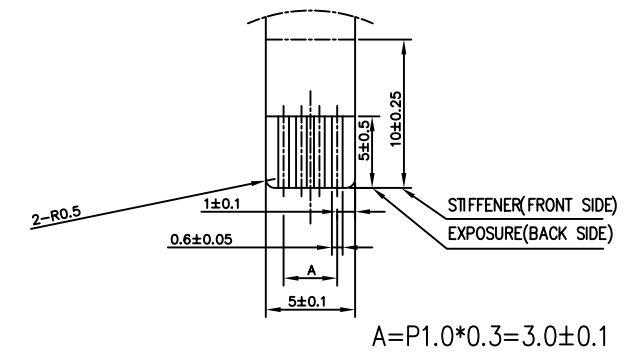
CIRCUIT DIAGRAM



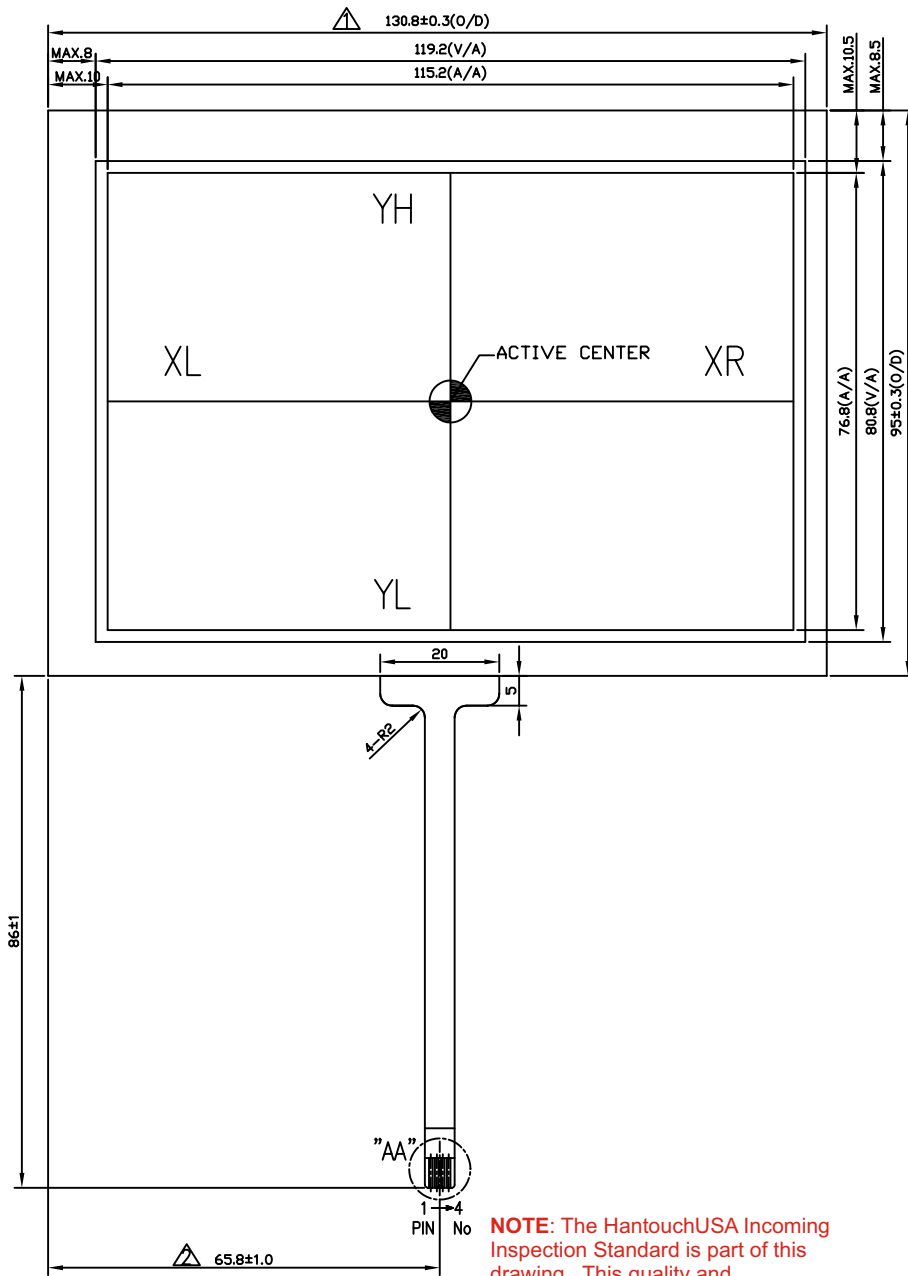
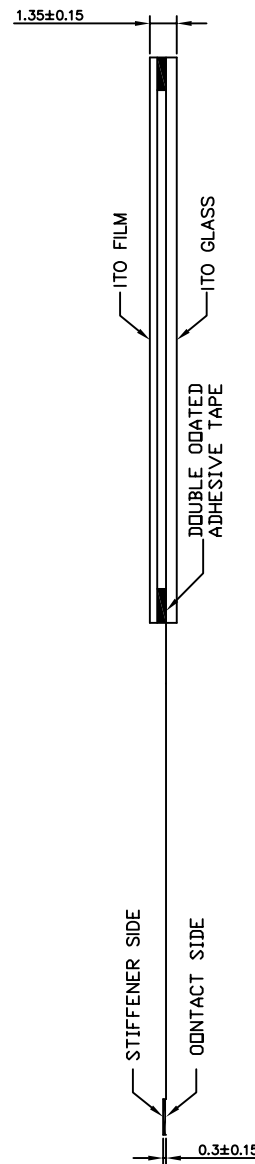
SIGNAL ASSIGNMENT

Pin No	Signal
1	YH
2	XL
3	YL
4	XR

Detail "AA" (Scale=3/1)



APPROVE	UNIT	mm	PROJECTION	DRAWING NO.	REV.
CHECK	SCALE	NONE		HT055A-ND0FB87	
DESIGN	 Touch Screen Specialists			DESCRIPTION	SHEET
DRAW				5.5 TOUCH PANEL	1/1



NOTE: The HantouchUSA Incoming Inspection Standard is part of this drawing. This quality and performance document can be viewed at: www.hantouchUSA.com, under Incoming Inspection Standards.

REV.No.	REVISED	DATE	DRAWN	CHECKED	APPROVED	DRAW
01	$\Delta 144 \pm 0.3 \rightarrow 130.8 \pm 0.3$ $\Delta 79 \pm 1.0 \rightarrow 65.8 \pm 0.3$	04.10.16	J.H.LEE			
00	NEW DRAW	04.09.30	J.H.LEE			