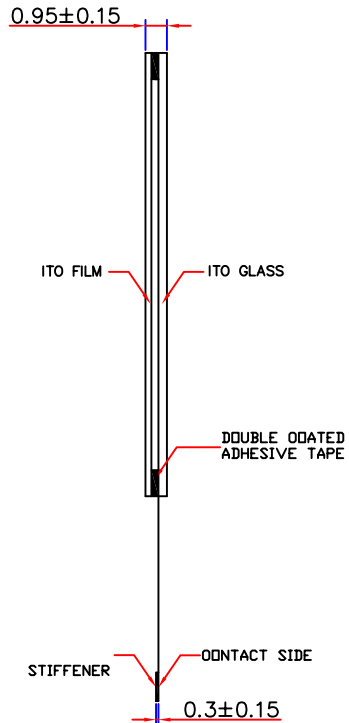
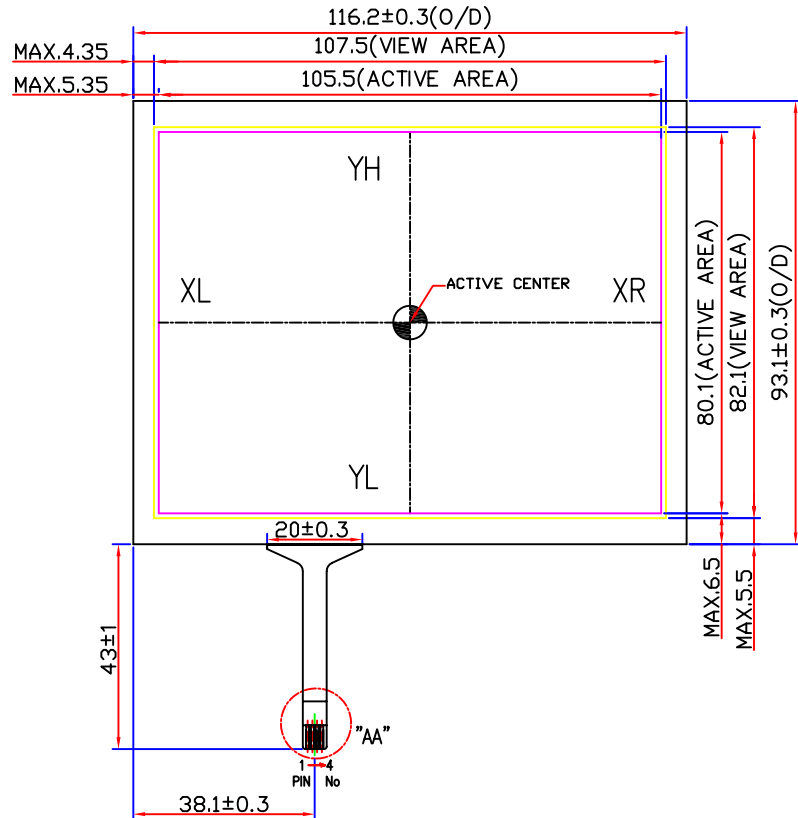


**NOTE:** The HantouchUSA Incoming Inspection Standard is part of this drawing. This quality and performance document can be viewed at: [www.hantouchUSA.com](http://www.hantouchUSA.com), under Incoming Inspection Standards.

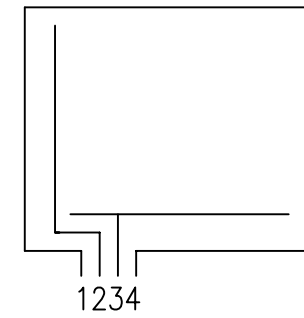


REMARK

**RoHS Compliant**

- 1.Glass Thk: 0.7mm
- 2.Film Type: Non\_Glare
- 3.Total Thk: 0.95±0.15
- 4.Linearity: ±1.5 or less
- 5.Transmittance: 80% or more
- 6.Resistance  
200<Glass(Y)<900 ohm  
200<Film(X)<900 ohm
- 7.Connector: FPC

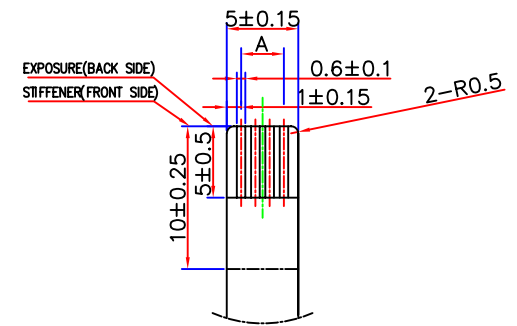
CIRCUIT DIAGRAM



SIGNAL ASSIGNMENT

| Pin No | Signal |
|--------|--------|
| 1      | YH     |
| 2      | XL     |
| 3      | YL     |
| 4      | XR     |

Detail "AA"(Scale=3/1)



A=P1.0\*0.3=3.0±0.1

Web-Site @ [www.hantouchusa.com](http://www.hantouchusa.com)

|         |         |  |      |            |                |       |         |          |
|---------|---------|--|------|------------|----------------|-------|---------|----------|
| APPROVE |         | UNIT   | mm   | PROJECTION | DRAWING NO.    | REV.  |         |          |
| CHECK   |         | SCALE  | NONE |            | HT052A-NCOFG45 |       |         |          |
| DESIGN  |         | <b>HantouchUSA</b><br>Touch Screen Specialists |      |            | DESCRIPTION    | SHEET |         |          |
| REV.No. | REVISED |  |      |            | DATE           | DRAWN | CHECKED | APPROVED |

|         |          |          |         |         |          |        |
|---------|----------|----------|---------|---------|----------|--------|
| 0       | NEW DRAW | 04.06.08 | J.H.LEE |         |          | DESIGN |
| REV.No. | REVISED  | DATE     | DRAWN   | CHECKED | APPROVED | DRAW   |