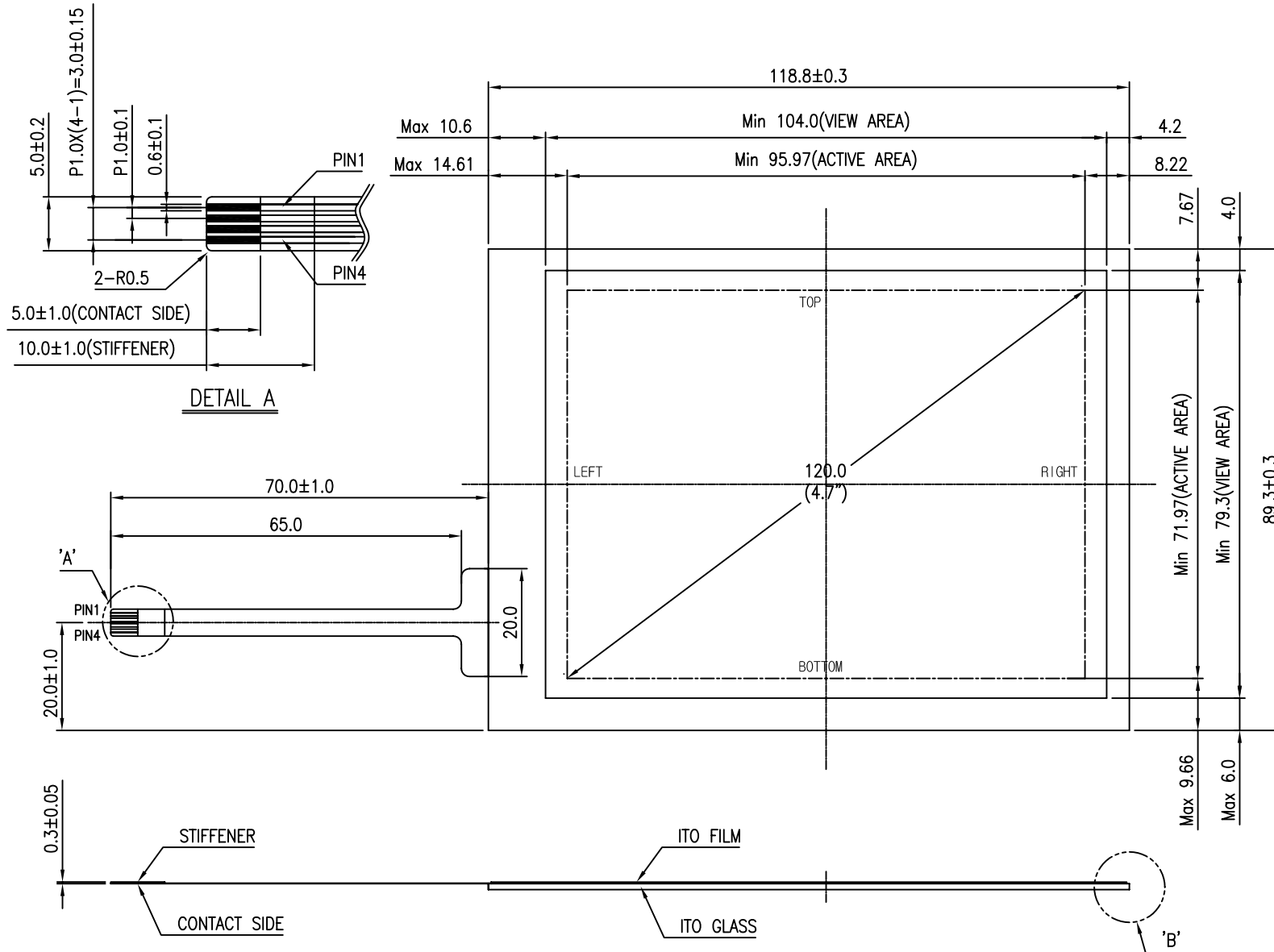


REV.NO.	REVISED	DATE	DRAWN	CHECKED	APPROVED
0	NEW DRAW	01.09.04	WJ.KIM		

RoHS Compliant



NOTE

- 1) TYPE : NON-GLARE TYPE
- 2) GLASS THICKNESS : 1.1mm
- 3) FILM THICKNESS : $175/188 \pm 10_{\mu m}$
- 4) LINEARITY : $\pm 1.5\%$ or less
- 5) TRANSMITTANCE : 80% or more
- 6) Resistance between Lead : 200-900 Ω
- 7) CONNECTOR : FPC
- 8) GENERAL TOLERANCE : ± 0.3

TERMINAL	
NO	SYMBOL
1	TOP
2	LEFT
3	BOTTOM
4	RIGHT

Web-Site @
www.hantouchusa.com

4.7" TOUCH PANEL

SCALE : NONE

NOTE: The HantouchUSA Incoming Inspection Standard is part of this drawing. This quality and performance document can be viewed at: www.hantouchUSA.com, under Incoming Inspection Standards.

APPROVE		UNIT	mm	PROJECTION	DRAWING NO.	REV.
CHECK		SCALE	NONE		HT047A-ND0FA72	
DESIGN	<i>Kabangja</i>	Han touch USA			DESCRIPTION	SHEET
DRAW		Touch Screen Specialists			4.7" TOUCH PANEL	1/1