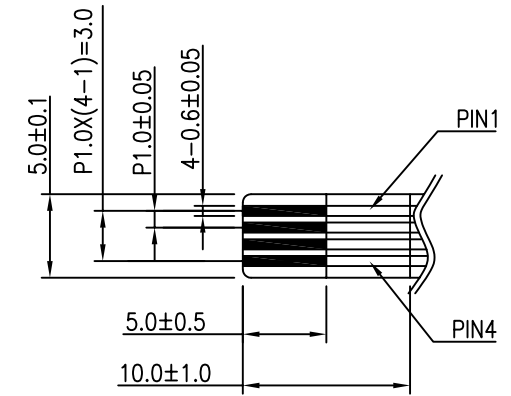
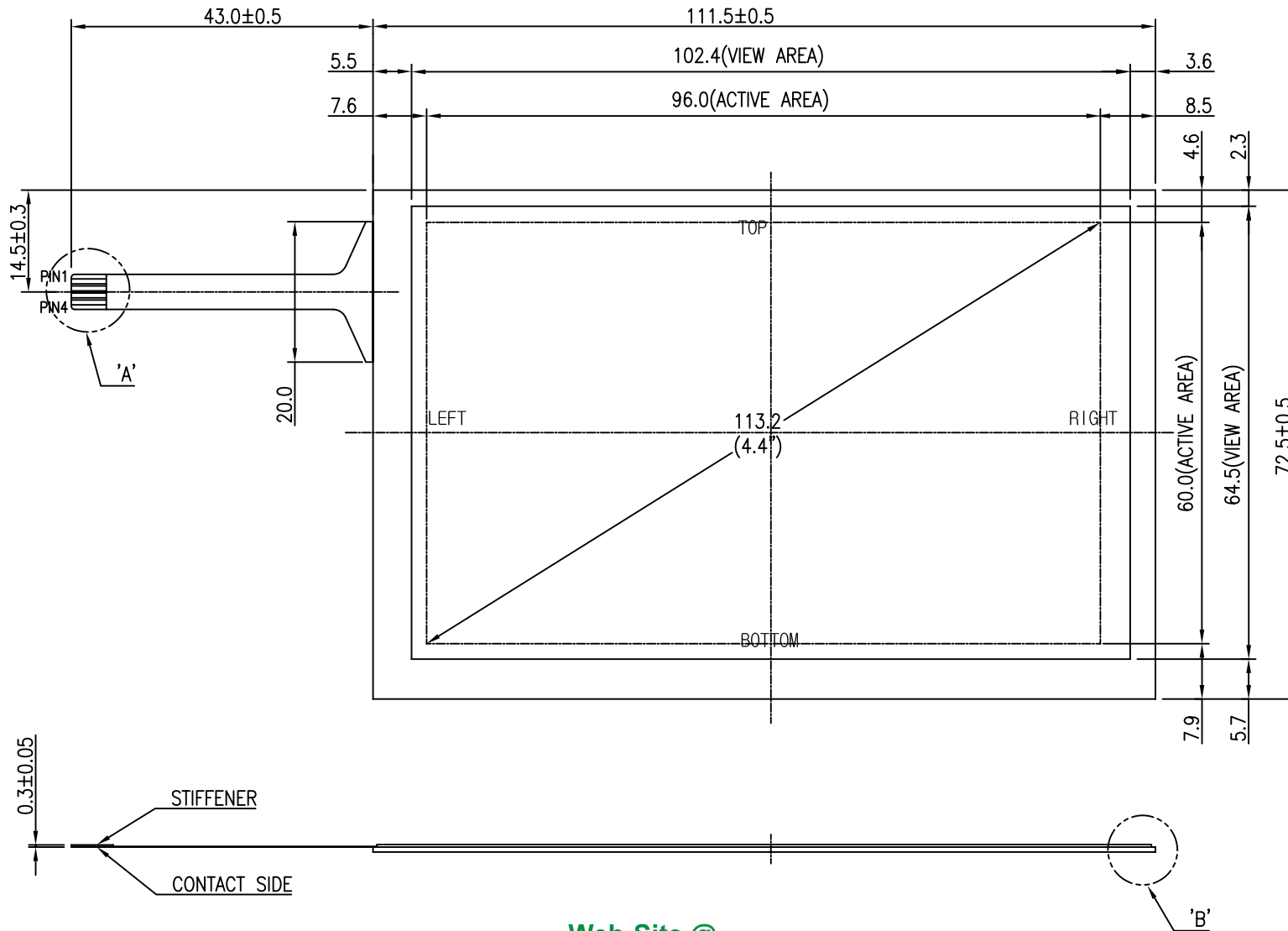
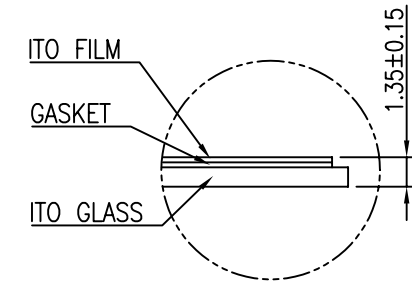


RoHS Compliant

REV.NO.	REVISED	DATE	DRAWN	CHECKED	APPROVED
0	NEW DRAW	01.10.04	WJ.KIM		
1	TAIL 36 → 43mm	01.12.05	WJ.KIM		
2	TAIL SOLDERING → STIFFENER TYPE	02.02.19	WJ.KIM		
3	Active Area 변경 4.6inch → 4.4inch	04.11.22	KB.KIM		



DETAIL A



DETAIL B

NOTE

- 1) TYPE : ANTI-GLARE TYPE
- 2) GLASS THICKNESS : 1.1t
- 3) CONNECTOR : FPC
- 4) GENERAL TOLERANCE : ±0.3

TERMINAL	
NO	SYMBOL
1	TOP
2	LEFT
3	BOTTOM
4	RIGHT

NOTE: The HantouchUSA Incoming Inspection Standard is part of this drawing. This quality and performance document can be viewed at: www.hantouchUSA.com, under Incoming Inspection Standards.

Web-Site @ www.hantouchusa.com

4.4" TOUCH PANEL

SCALE : NONE

APPROVE	UNIT	mm	PROJECTION	DRAWING NO.	REV.
CHECK	SCALE	NONE		HT044A-NDOFG45	
DESIGN	 HantouchUSA Touch Screen Specialists			DESCRIPTION	SHEET
DRAW				4.4" TOUCH PANEL	1/1