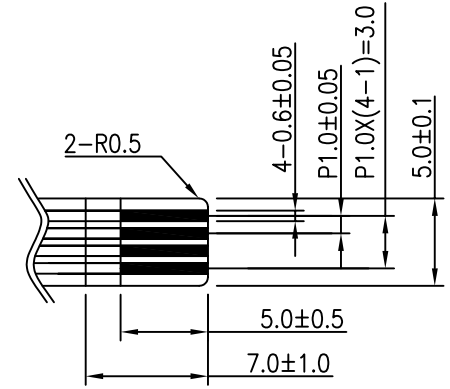
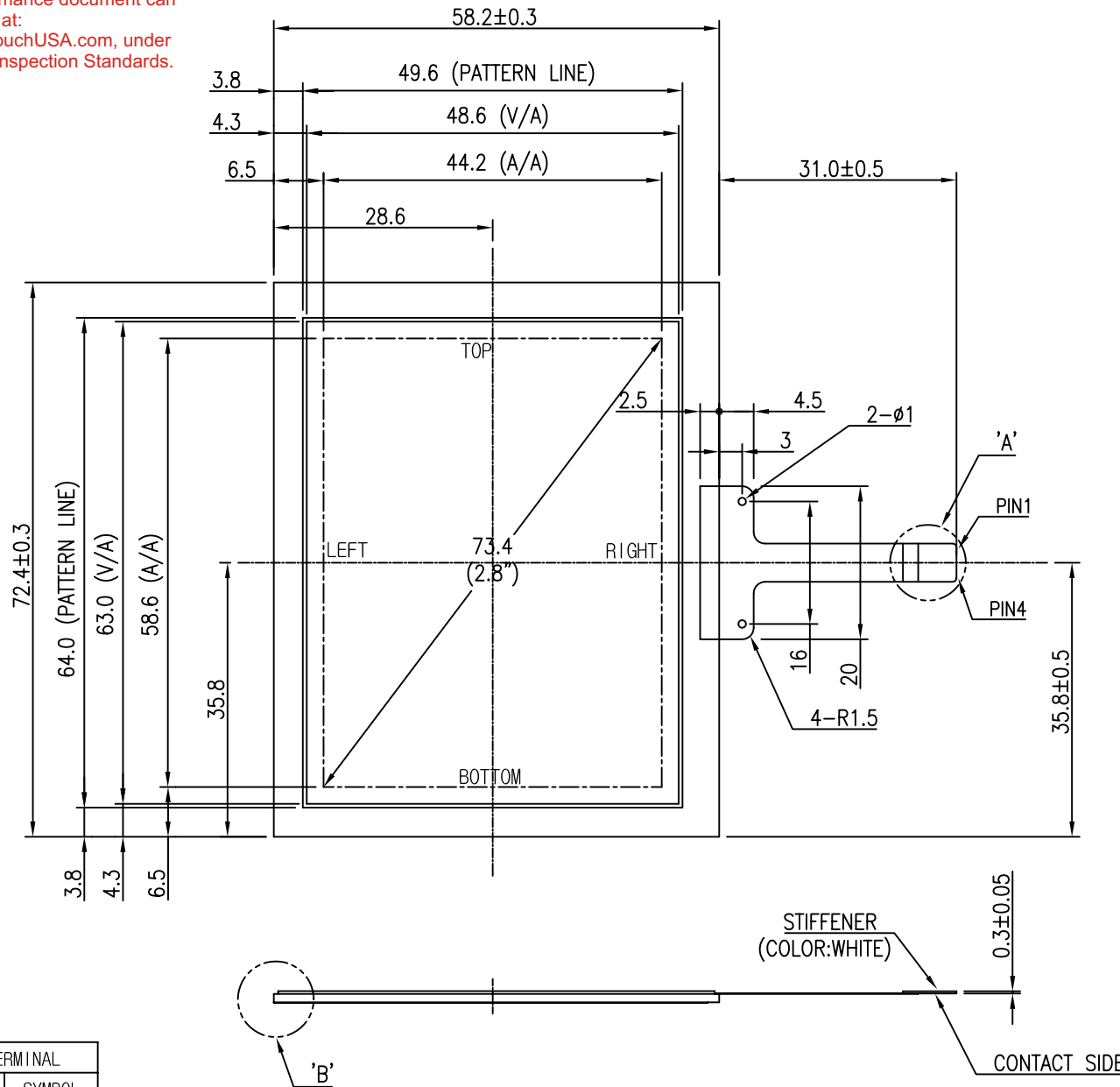


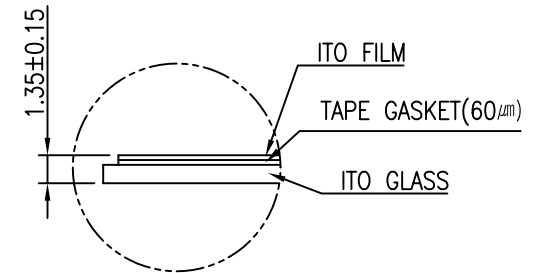
NOTE: The HantouchUSA Incoming Inspection Standard is part of this drawing. This quality and performance document can be viewed at: www.hantouchUSA.com, under Incoming Inspection Standards.

RoHS Compliant

| REV.NO. | REVISED | DATE | DRAWN | CHECKED | APPROVED |
|---------|----------|----------|--------|---------|----------|
| 0 | NEW DRAW | 01.03.27 | WJ.KIM | | |



DETAIL A



DETAIL B

NOTE

- 1) TYPE : CLEAR TYPE
- 2) GLASS THICKNESS : 1.1t
- 3) CONNECTOR : FPC
- 4) GENERAL TOLERANCE : ±0.3

| TERMINAL | |
|----------|--------|
| NO | SYMBOL |
| 1 | LEFT |
| 2 | TOP |
| 3 | RIGHT |
| 4 | BOTTOM |

Web-Site @ www.hantouchusa.com

2.8" TOUCH PANEL

SCALE : NONE

| APPROVE | UNIT | mm | PROJECTION | DRAWING NO. | REV. |
|---------|-----------------|--------------------------|------------|------------------|-------|
| | SCALE | NONE | | HT028A-NDOOB33 | |
| DESIGN | <i>Fabrizio</i> | HantouchUSA | | DESCRIPTION | SHEET |
| DRAW | | Touch Screen Specialists | | 2.8" TOUCH PANEL | 1/1 |