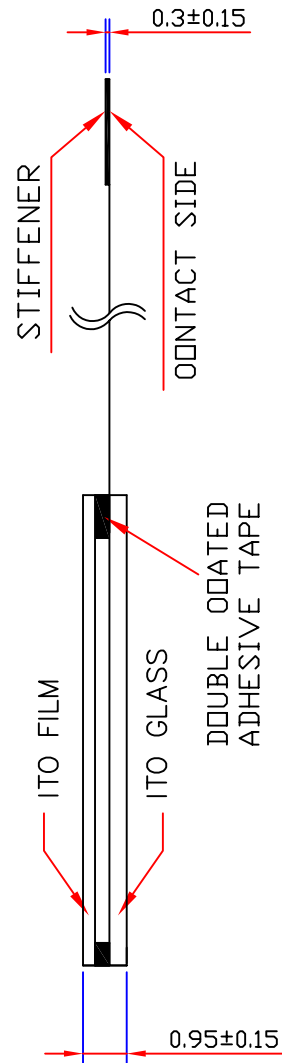
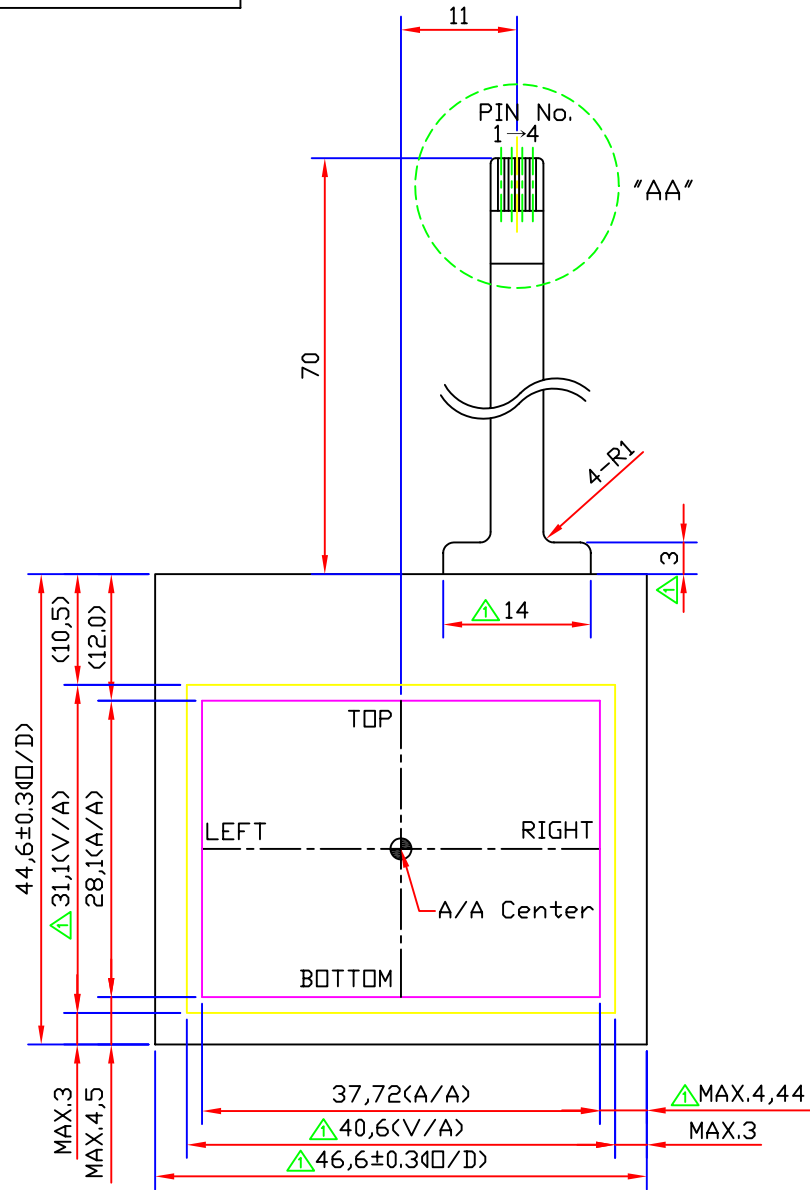


PRELIMINARY



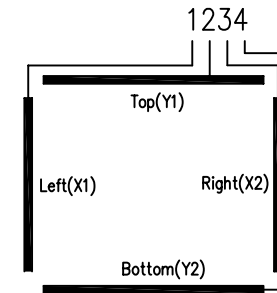
REMARK

RoHS Compliant

1. Glass Thk: 0.7mm
2. Film Type: Non-Glare
3. Total Thk: 0.95±0.15mm
4. Linearity: ±1.5 or less
5. Transmittance: 80% or more
6. Resistance
200 < Y < 900 ohm
200 < X < 900 ohm
7. Connector: FPC
8. General Tolerance: ±0.3

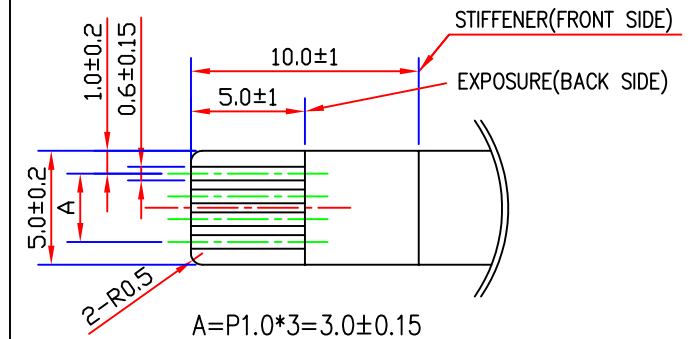
CIRCUIT DIAGRAM

SIGNAL ASSIGNMENT



Pin No	Signal
1	Left
2	Top
3	Right
4	Bottom

Detail "AA"



NOTE: The HantouchUSA Incoming Inspection Standard is part of this drawing. This quality and performance document can be viewed at: www.hantouchUSA.com, under Incoming Inspection Standards.

Web-Site @ www.hantouchusa.com

REV.No.	REVISED	DATE	DRAWN	CHECKED	APPROVED	DRAW	APPROVE	STD.TOL	UNIT	mm	DRAWING NO.	REV.
1	Dimension, FPC Change	06.04.06	H.Y. IM	J.H. LEE	J.W. AHN	CHECK		±0.3	SCALE	NONE	HTO19A-NCIAB72	1
0	NEW DRAW	06.04.05	H.Y. IM	J.H. LEE	J.W. AHN	DESIGN					DESCRIPTION	SHEET
											1.9" TOUCH PANEL	1/1

Han touch USA
Touch Screen Specialists