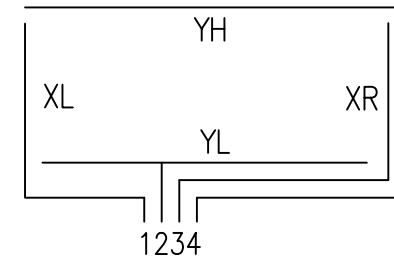


REMARK

- △ 1.Glass Thk: 1.1mm
- 2.Film Type: Non_Glare
- △ 3.Total Thk: 1.35±0.15
- 4.Linearity: ±1.8% or less
- 5.Transmittance: 80% or more
- 6.Resistance
100 < Y < 1200 ohm
100 < X < 1200 ohm
- 7.Connector: FPC

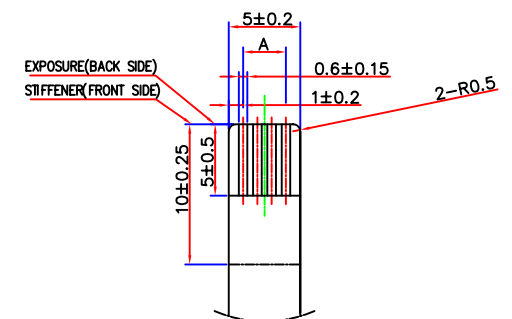
CIRCUIT DIAGRAM



SIGNAL ASSIGNMENT

Pin No	Signal
1	XL
2	YL
3	XR
4	YH

Detail "AA"(Scale=3/1)



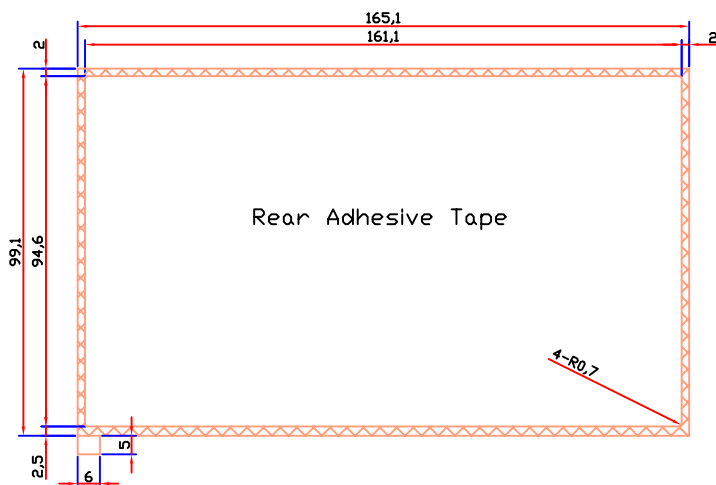
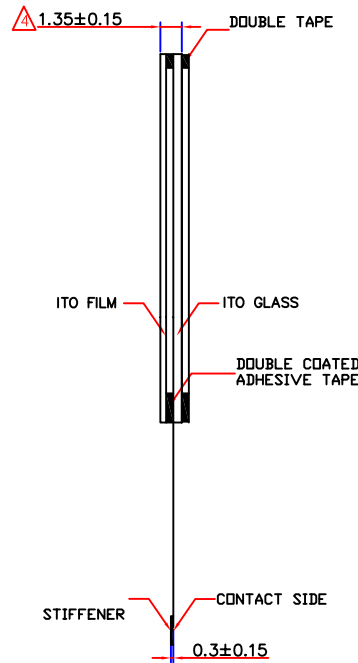
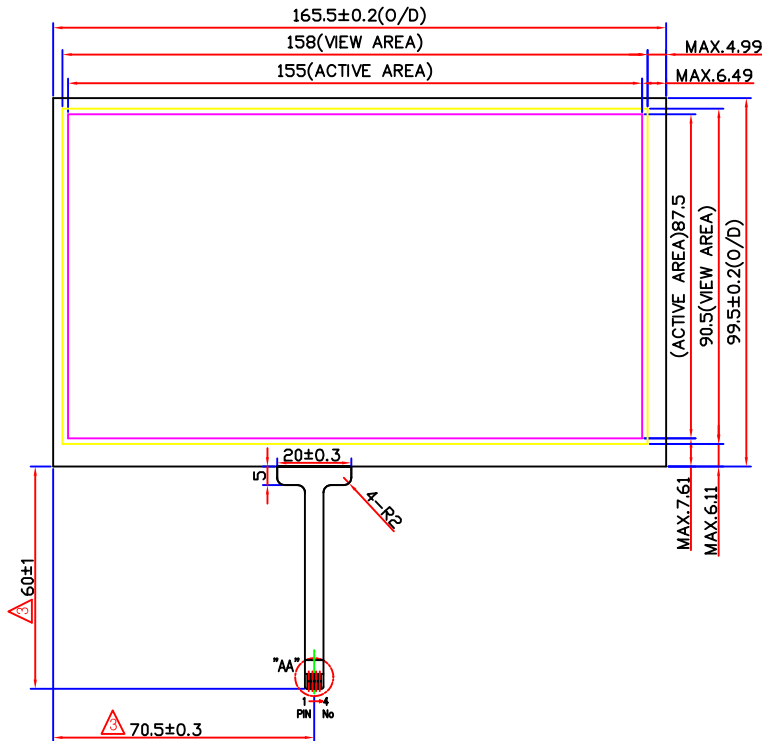
A=P1.0*0.3=3.0±0.1

NOTE: The HantouchUSA Incoming Inspection Standard is part of this drawing. This quality and performance document can be viewed at: www.hantouchUSA.com, under Incoming Inspection Standards.

4	Glass 두께변경 0.7T → 1.1T	06.03.29	K.B.KIM				
3	FPC 변경	05.12.12	K.B.KIM				
2	FPC 변경, 모델명 변경	05.11.21	K.B.KIM				
1	Double Tape 추가	04.07.19	K.B.KIM				
0	NEW DRAW	04.06.08	J.H.LEE				
REV.No.	REVISED	DATE	DRAWN	CHECKED	APPROVED	DRAW	

APPROVE	UNIT	mm	PROJECTION	DRAWING NO.	REV.
CHECK	SCALE	NONE		△HG070A-NDOFD62-R	
DESIGN	DESCRIPTION		SHEET		
	7.0TOUCH PANEL		1/1		

HantouchUSA
Touch Screen Specialists



Web-Site @
www.hantouchusa.com