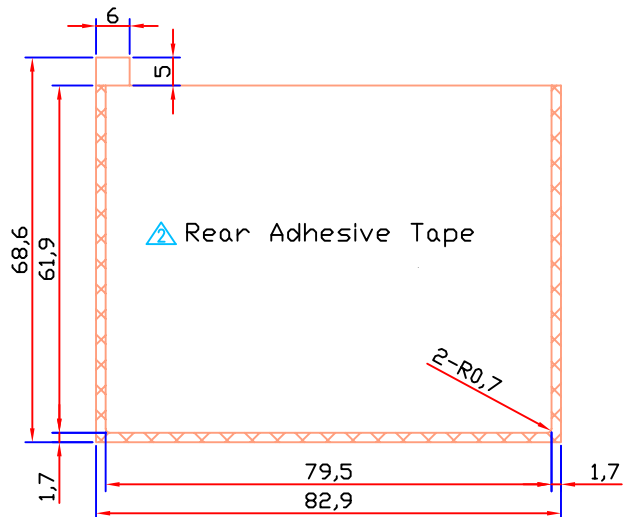
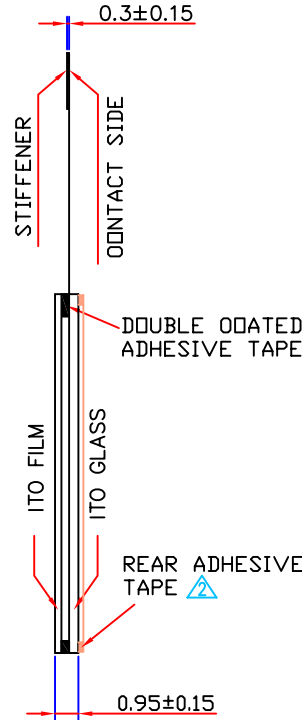
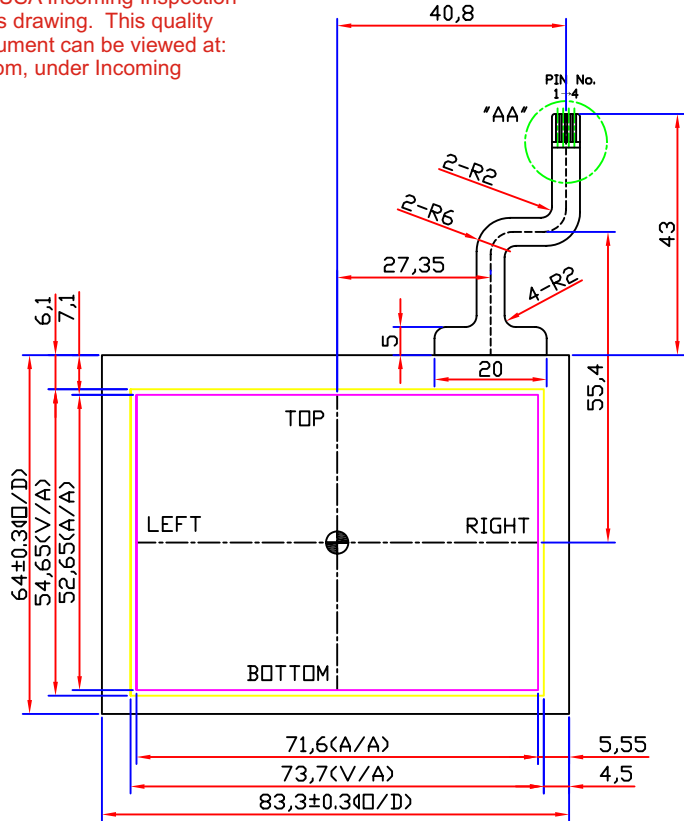


**NOTE:** The HantouchUSA Incoming Inspection Standard is part of this drawing. This quality and performance document can be viewed at: [www.hantouchUSA.com](http://www.hantouchUSA.com), under Incoming Inspection Standards.

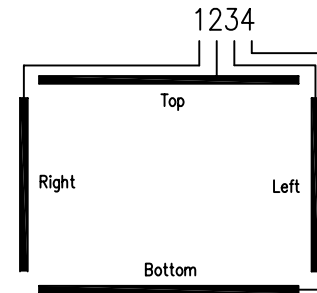


**REMARK**

**RoHS Compliant**

- 1. Glass Thk: 0.7mm
- △ 2. Film Type: Non-Glare
- 3. Total Thk: 0.95±0.15mm
- 4. Linearity: ±1.8% or less
- 5. Transmittance: 80% or more
- 6. Resistance  
200 < Y < 900 ohm  
200 < X < 900 ohm
- 7. Connector: FPC
- 8. General Tolerance: ±0.3

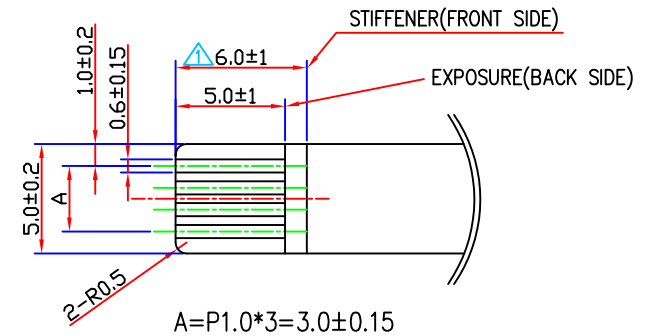
CIRCUIT DIAGRAM



SIGNAL ASSIGNMENT

Pin No	Signal
1	Right
2	Top
3	Left
4	Bottom

Detail "AA"



**Web-Site @**  
[www.hantouchusa.com](http://www.hantouchusa.com)

2	△ Add a Rear DAT	06.04.20	H.Y. IM	J.H. LEE	J.W. AHN	APPROVE		STD.TOL	UNIT	mm	DRAWING NO.	REV.
1	△ Stiffener Length, Film Type Change	06.04.14	H.Y. IM	J.H. LEE	J.W. AHN	CHECK			SCALE	NONE	H7035A-NCOFJ45-R	2
0	NEW DRAW	06.02.03	H.Y. IM	J.H. LEE	J.W. AHN	DESIGN					DESCRIPTION	SHEET
REV.No.	REVISED	DATE	DRAWN	CHECKED	APPROVED	DRAW				3.5" TOUCH PANEL		1/1