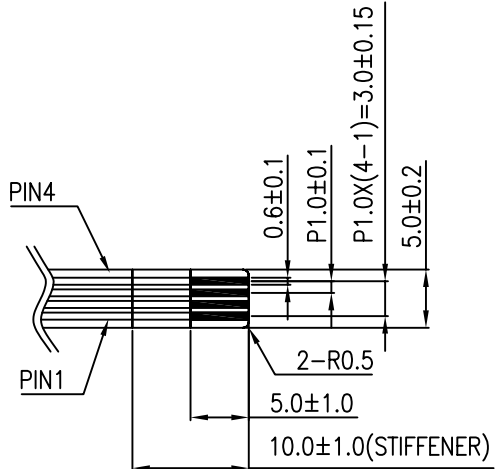
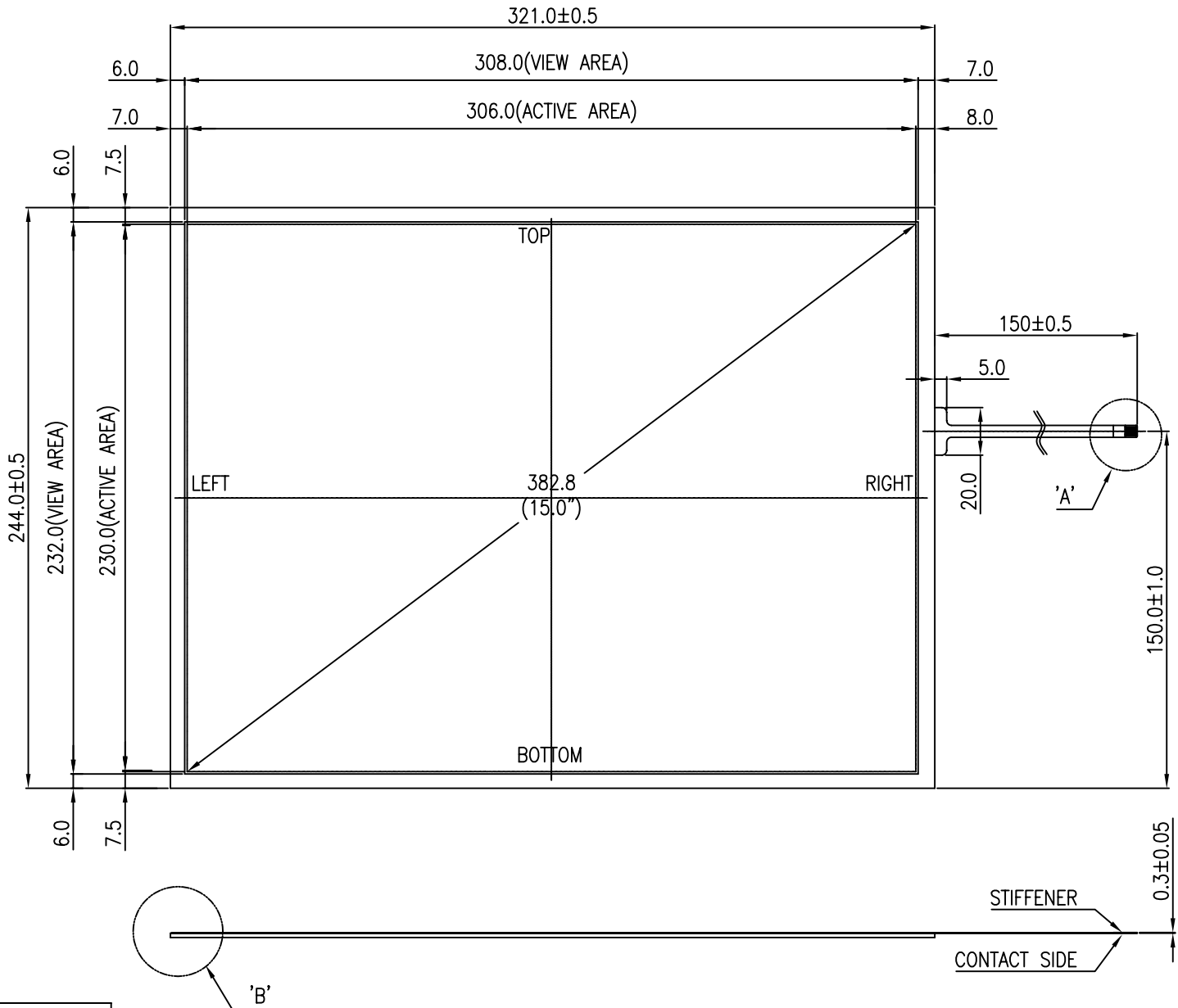
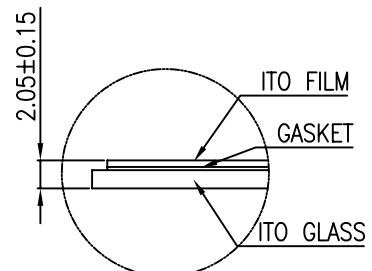


RoHS Compliant

REV.NO.	REVISED	DATE	DRAWN	CHECKED	APPROVED
0	NEW DRAW	06.01.23	K.B.KIM		



DETAIL A



DETAIL B

NOTE

- 1) TYPE : NON GLARE TYPE
- 2) GLASS THICKNESS : 1.8t
- 3) FILM THICKNESS : 175/188 $\mu$ m
- 4) CONNECTOR : FPC
- 5) GENERAL TOLERANCE : ±0.5

TERMINAL	
NO	SYMBOL
1	LEFT
2	BOTTOM
3	RIGHT
4	TOP

**NOTE:** The HantouchUSA Incoming Inspection Standard is part of this drawing. This quality and performance document can be viewed at: [www.hantouchUSA.com](http://www.hantouchUSA.com), under Incoming Inspection Standards.

15.0" TOUCH PANEL

SCALE : NONE

Web-Site @ [www.hantouchusa.com](http://www.hantouchusa.com)

APPROVE		UNIT	mm	PROJECTION	DRAWING NO.	REV.
CHECK		SCALE	NONE		H5150A-NEOFR52	
DESIGN	<i>Fabianja</i>			DESCRIPTION		SHEET
DRAW				15.0" TOUCH PANEL		1/1