

**NOTE:** The HantouchUSA Incoming Inspection Standard is part of this drawing. This quality and performance document can be viewed at: [www.hantouchUSA.com](http://www.hantouchUSA.com), under Incoming Inspection Standards.

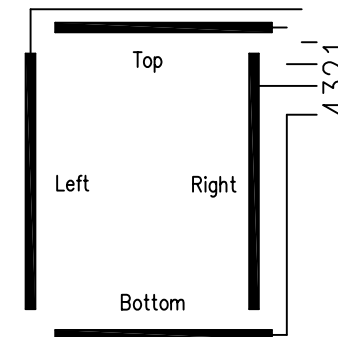
**RoHS Compliant**

REMARK

1. Glass Thk: 0.7mm
2. Film Type: Non\_Glare
3. Total Thk:  $0.95 \pm 0.15$ mm
4. Linearity:  $\pm 1.5\%$  or less
5. Transmittance: 80% or more
6. Resistance  
 $200 < \text{Glass(Y)} < 900$  ohm  
 $200 < \text{Film(X)} < 900$  ohm
7. Connector: FPC

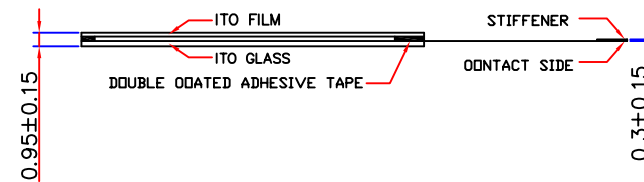
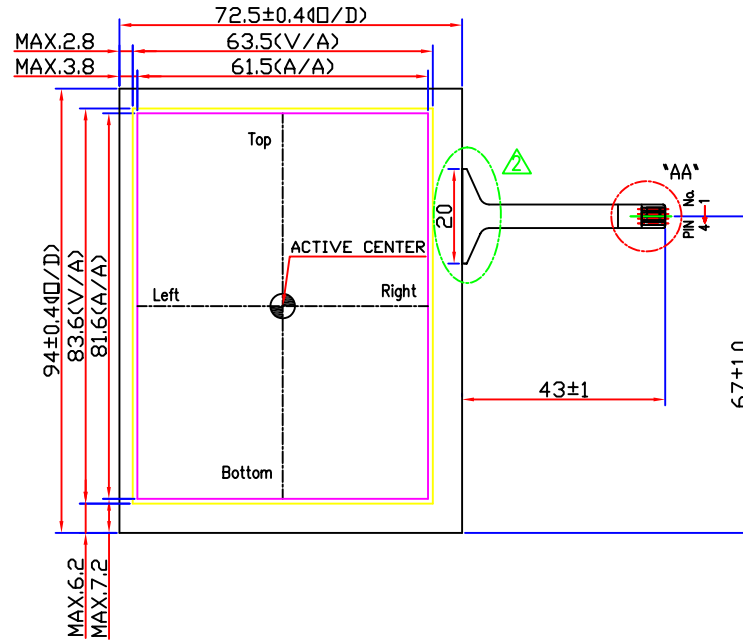
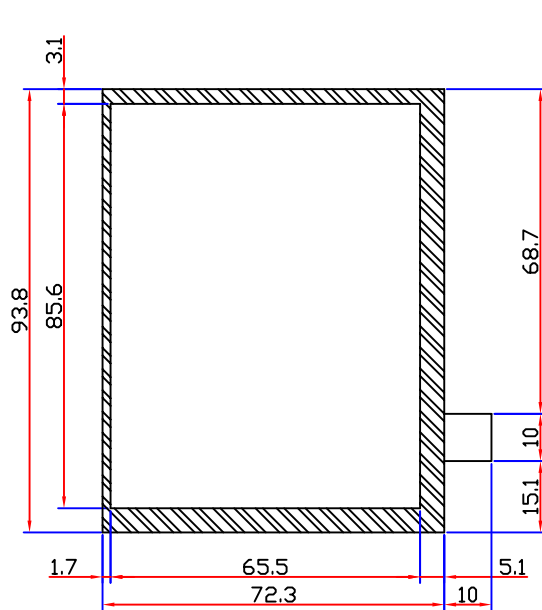
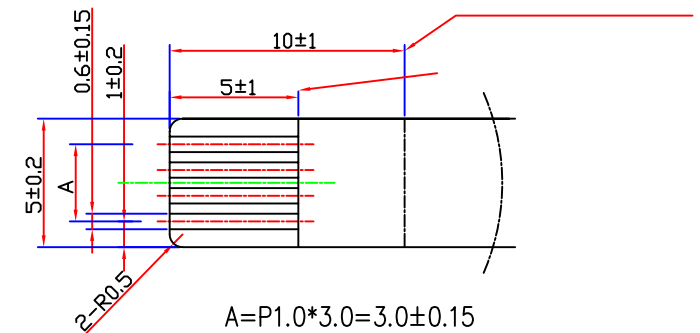
CIRCUIT DIAGRAM

SIGNAL ASSIGNMENT



Pin No	
1	Left
2	Top
3	Right
4	

Detail "AA" (Scale=3/1)



2		FPC CHANGE	06.11.29	H.Y. IM	K.B.KIM	M.K. CHO	APPROVE		UNIT	mm	PROJECTION	H5040A-NCNBG45-R	REV.
1		10 ± 1mm → 6 ± 1mm 5 ± 1mm → 4 ± 1mm	05.02.23	J.H. LEE	B.J. LEE	J.H. AHN	CHECK	SCALE	NONE				2
0		NEW DRAW	05.02.21	J.H. LEE	B.J. LEE	J.H. AHN	DESIGN					SHEET	
REV.No.	REVISED	DATE	DRAWN	CHECKED	APPROVED	DRAW						4.0" Touch Screen	1/1