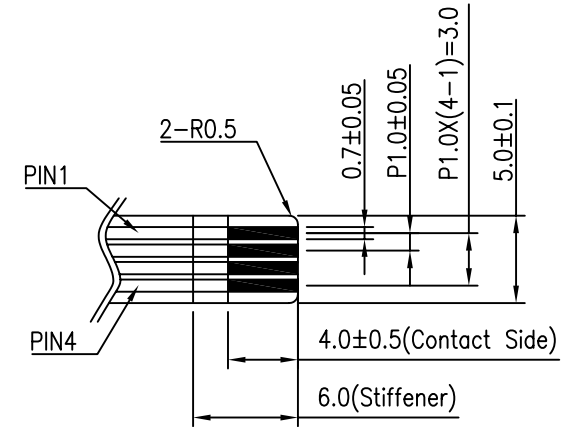
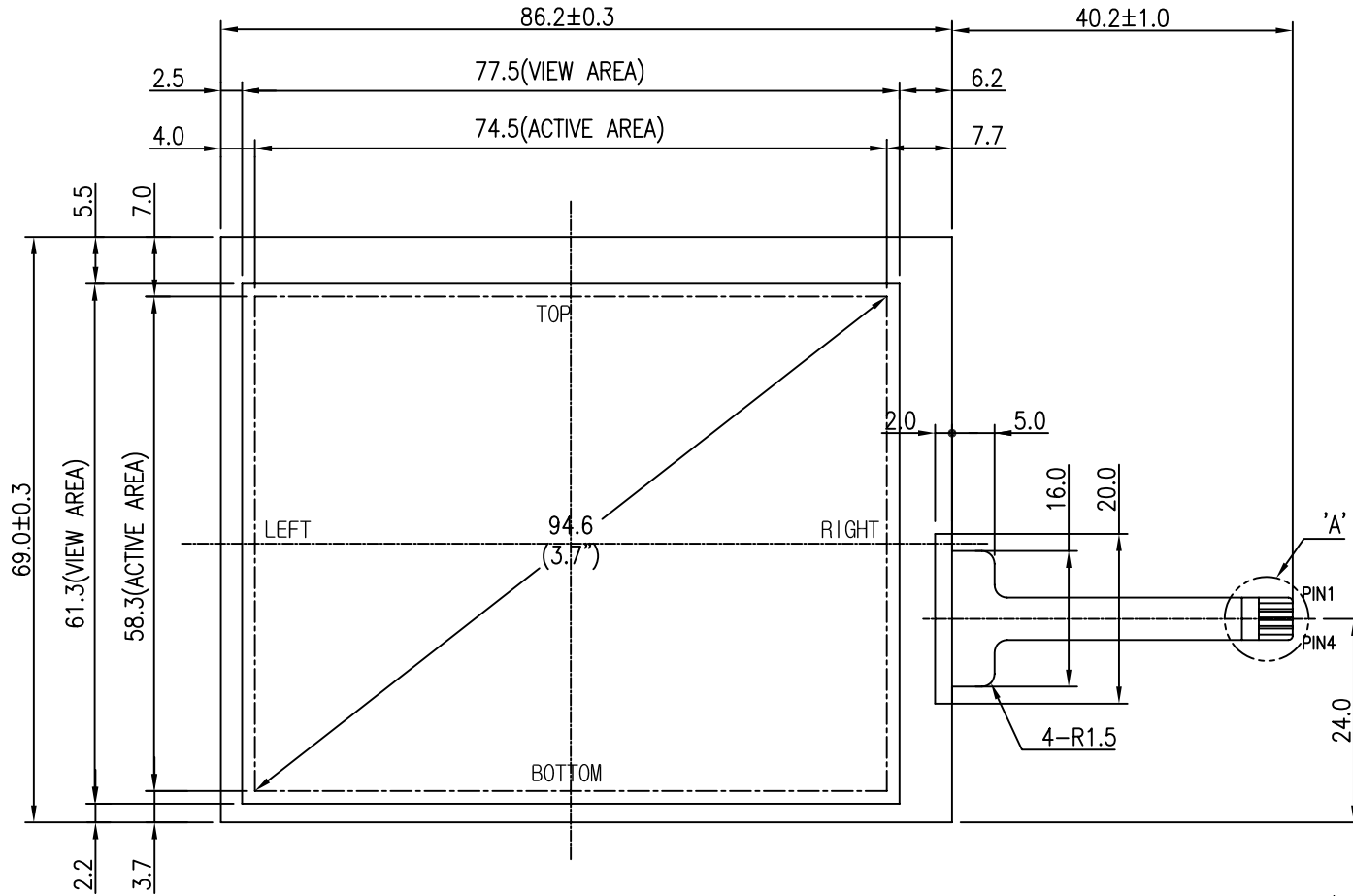


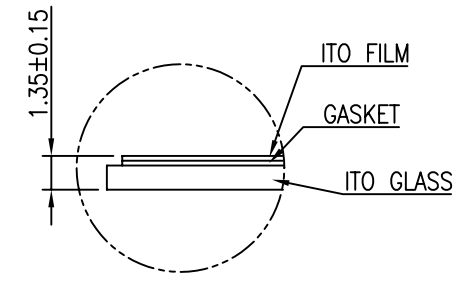
**NOTE:** The HantouchUSA Incoming Inspection Standard is part of this drawing.  
 This quality and performance document can be viewed at:  
[www.hantouchUSA.com](http://www.hantouchUSA.com), under Incoming Inspection Standards.

**RoHS Compliant**

REV.NO.	REVISED	DATE	DRAWN	CHECKED	APPROVED
0	NEW DRAW	01.09.06	WJ.KIM		



**DETAIL A**



**DETAIL B**



**NOTE**

- 1) TYPE : CLEAR TYPE
- 2) GLASS THICKNESS : 1.1mm
- 3) FILM THICKNESS : 175/188μm
- 4) CONNECTOR : FPC
- 5) GENERAL TOLERANCE : ±0.3

TERMINAL	
NO	SYMBOL
1	LEFT
2	TOP
3	RIGHT
4	BOTTOM

**3.7" TOUCH PANEL**

SCALE : NONE

**Web-Site @**  
[www.hantouchusa.com](http://www.hantouchusa.com)

APPROVE		UNIT	mm	PROJECTION	DRAWING NO.	REV.
CHECK		SCALE	NONE		H5037A-ND00A42	
DESIGN	<i>Fernandez</i>	<b>Han touch USA</b>			DESCRIPTION	SHEET
DRAW		Touch Screen Specialists			3.7" TOUCH PANEL	1/1