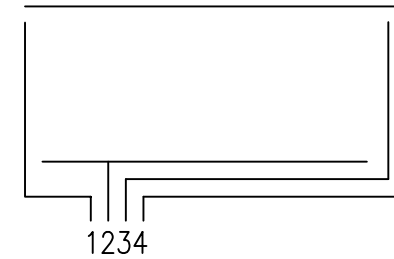


REMARK

1. Glass Thk: 1.1mm
2. Film Type: Non_Glare
3. Total Thk: 1.35 ± 0.15 mm
4. Linearity: $\pm 1.5\%$ or less
5. Transmittance: 80 % or more
6. Resistance
 $200 < \text{Glass}(Y) < 1500$ ohm
 $200 < \text{Film}(X) < 1500$ ohm
7. Connector: FPC

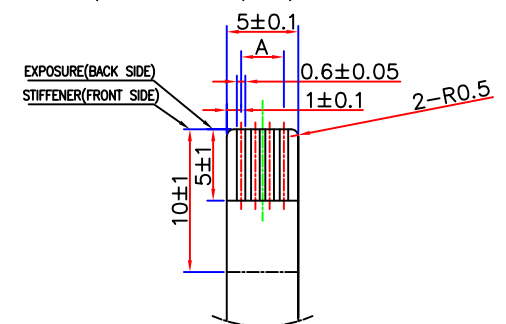
CIRCUIT DIAGRAM



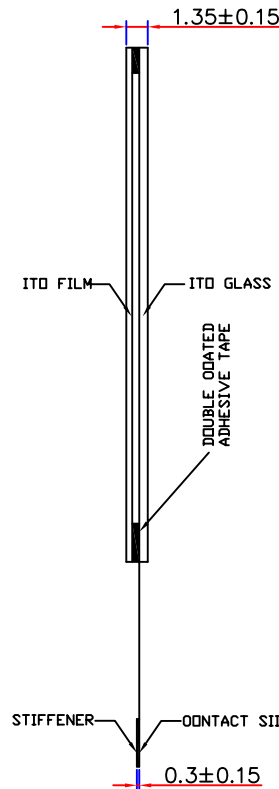
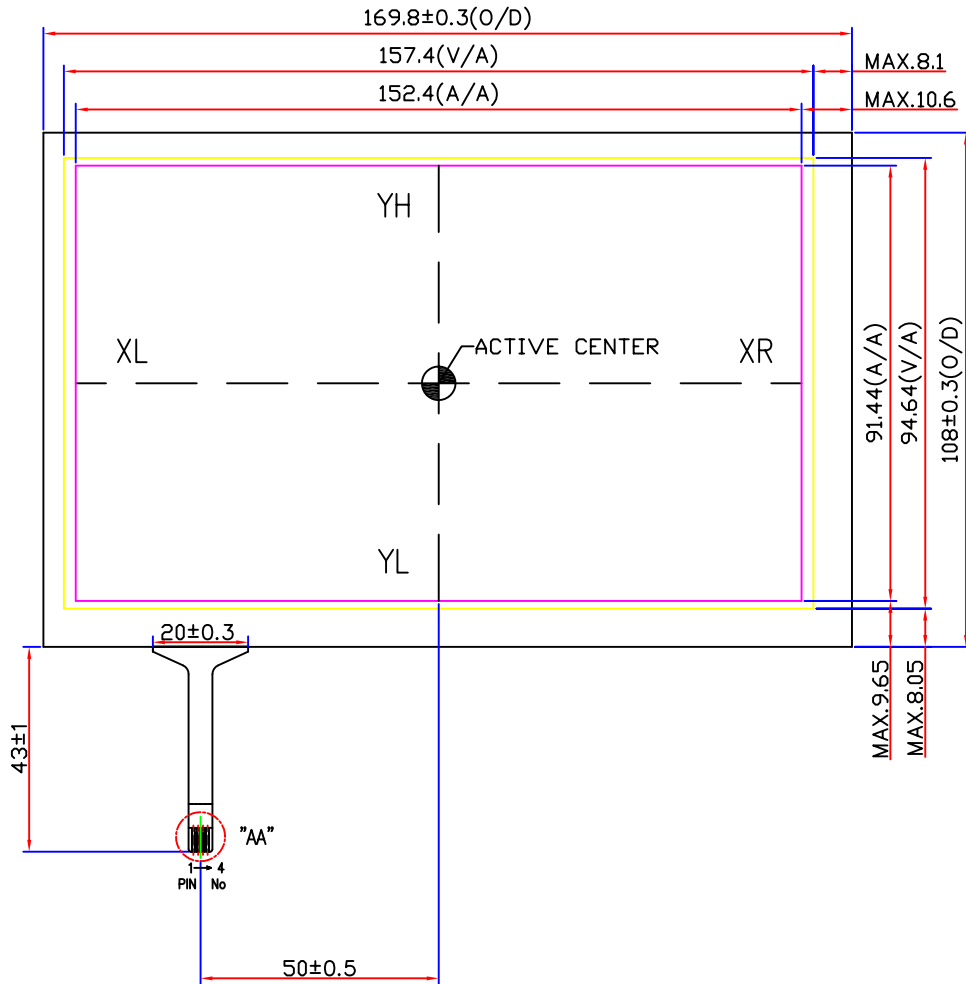
SIGNAL ASSIGNMENT

Pin No	Signal
1	XL
2	YL
3	XR
4	YH

Detail "AA" (Scale=3/1)



$A = P1.0 * 0.3 = 3.0 \pm 0.1$



NOTE: The HantouchUSA Incoming Inspection Standard is part of this drawing. This quality and performance document can be viewed at: www.hantouchUSA.com, under Incoming Inspection Standards.

APPROVE		UNIT	mm	PROJECTION	DRAWING NO.	REV.	
CHECK		SCALE	NONE		H4070A-ND0FG45		
DESIGN					DESCRIPTION	SHEET	
REV.No.	REVISED	DATE	DRAWN	CHECKED	APPROVED	DRAW	
Han touch USA Touch Screen Specialists						7.0 TOUCH PANEL	1/1

0	NEW DRAW	04.09.20	J.H.LEE			DESIGN
REV.No.	REVISED	DATE	DRAWN	CHECKED	APPROVED	DRAW