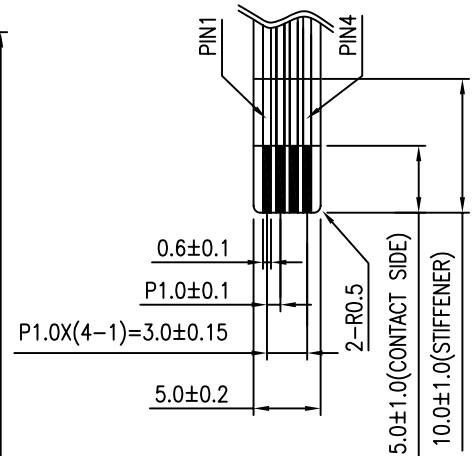
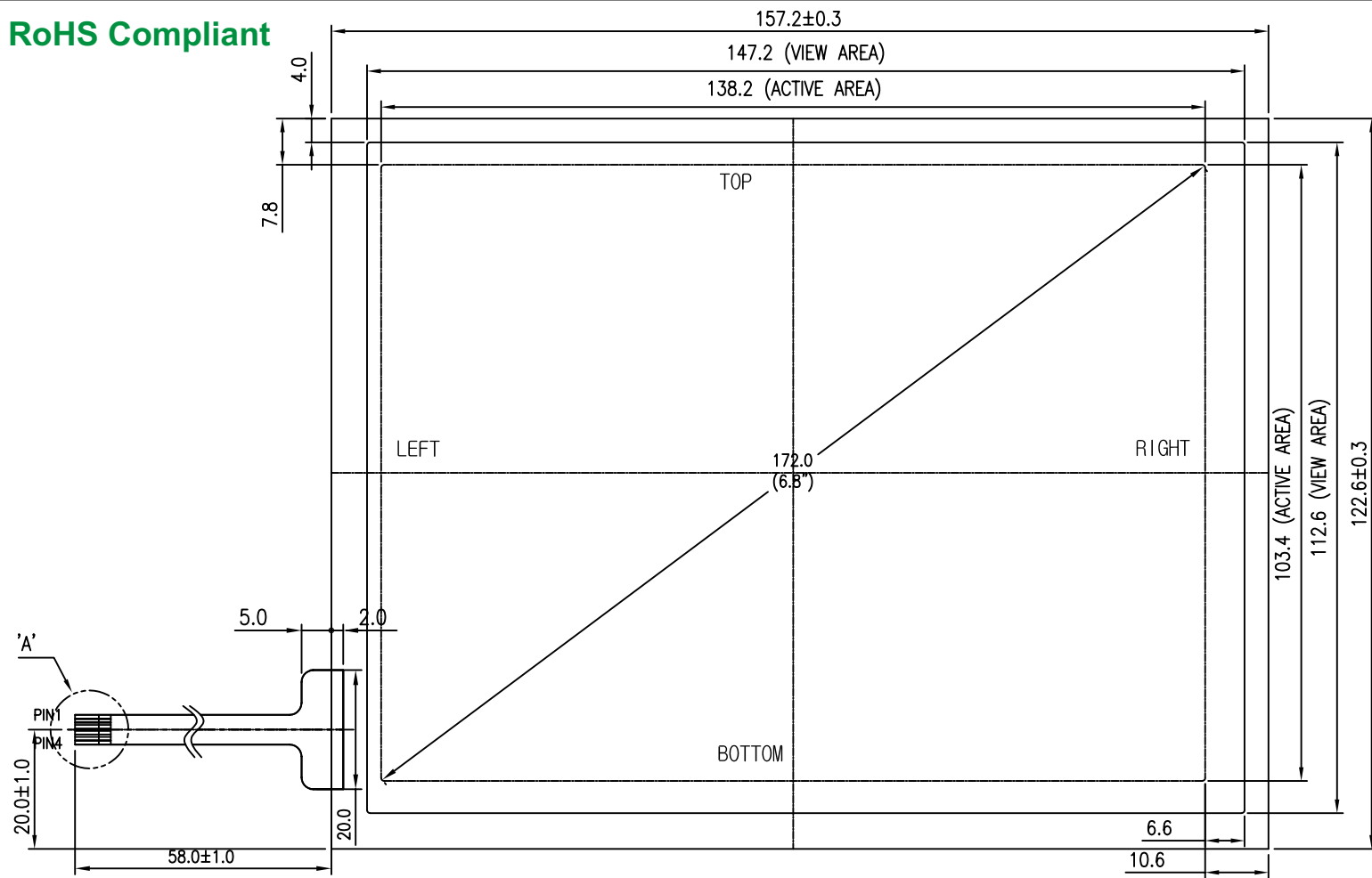
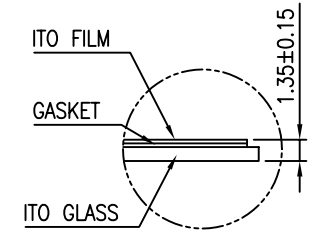


RoHS Compliant

REV.NO.	REVISED	DATE	DRAWN	CHECKED	APPROVED
0	NEW DRAW	03.10.27	KB.KIM		



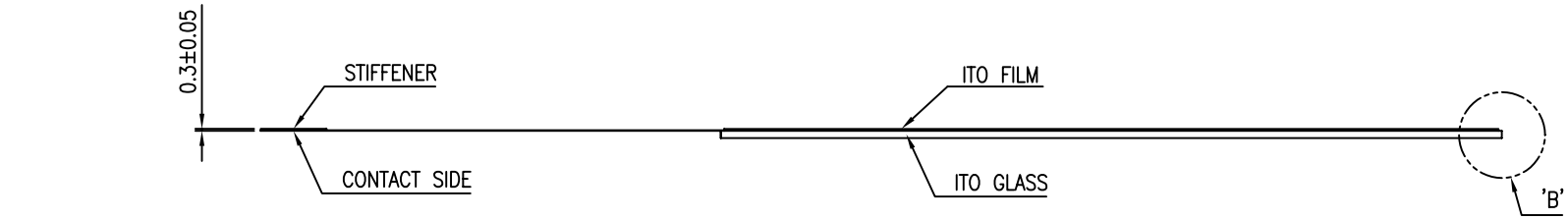
DETAIL A



DETAIL B

NOTE

- 1) TYPE : NON-GLARE TYPE
- 2) GLASS THICKNESS : 1.1mm
- 3) FILM THICKNESS : 175/188 ±10_{μm}
- 4) LINEARITY : ±1.5% or less
- 5) TRANSMITTANCE : 80% or more
- 6) Resistance between Lead : 200-900 Ω
- 7) CONNECTOR : FPC
- 8) GENERAL TOLERANCE : ±0.3



TERMINAL	
NO	SYMBOL
1	TOP
2	LEFT
3	BOTTOM
4	RIGHT

NOTE: The HantouchUSA Incoming Inspection Standard is part of this drawing. This quality and performance document can be viewed at: www.hantouchusa.com, under Incoming Inspection Standards.

6.8" TOUCH PANEL
SCALE : NONE

Web-Site @ www.hantouchusa.com

APPROVE		UNIT	mm	PROJECTION	DRAWING NO.	REV.
CHECK		SCALE	NONE		H4068A-ND OFC60	
DESIGN		Han touch USA Touch Screen Specialists			DESCRIPTION	SHEET
DRAW					6.8" TOUCH PANEL	1/1