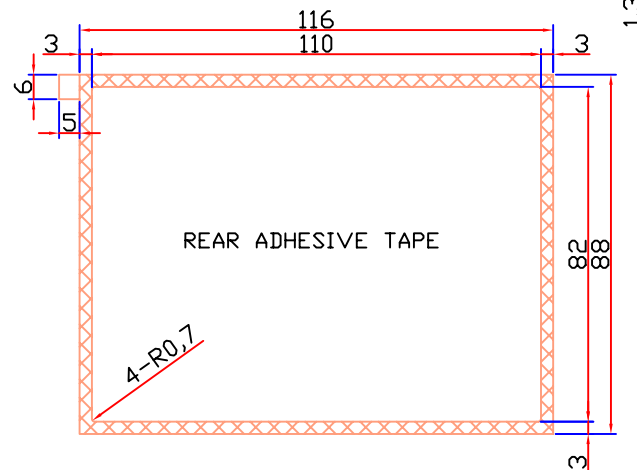
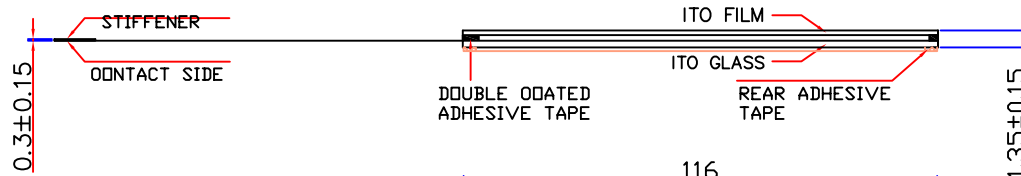
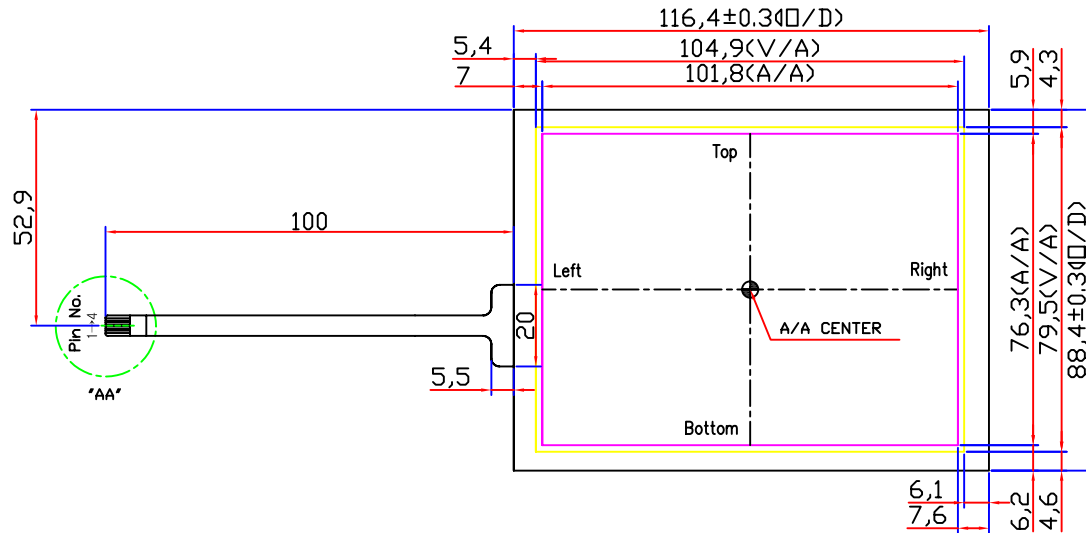


NOTE: The HantouchUSA Incoming Inspection Standard is part of this drawing.
 This quality and performance document can be viewed at:
www.hantouchUSA.com, under Incoming Inspection Standards.

RoHS Compliant

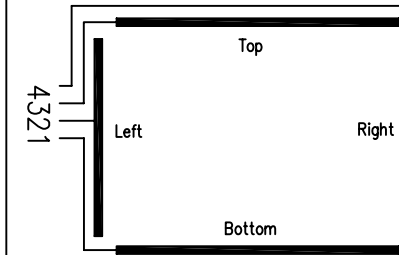


REMARK

1. Glass Thk: 1.1mm
2. Film Type: Non-Glare
3. Total Thk: 1.35±0.15mm
4. Linearity: ±1.8% or less
5. Transmittance: 80% or more
6. Resistance
 200<Glass(Y)<900 ohm
 200<Film(X)<900 ohm
7. Connector: FPC
8. General Tolerance: ±0.3

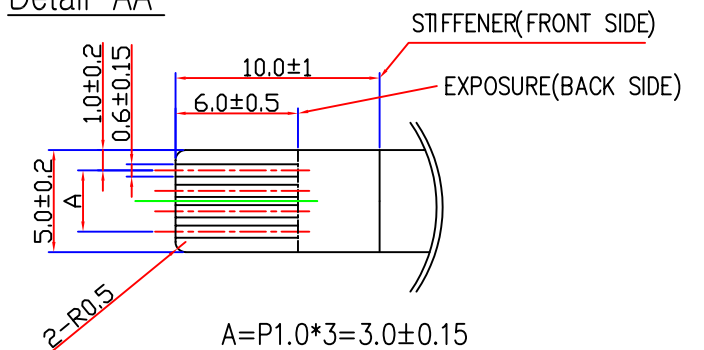
CIRCUIT DIAGRAM

SIGNAL ASSIGNMENT



Pin No	Signal
1	Bottom
2	Left
3	Top
4	Right

Detail "AA"



REV.No.	REVISED	DATE	DRAWN	CHECKED	APPROVED	DRAW	APPROVE	STD.TOL	UNIT	mm	DRAWING NO.	REV.
1	ADD REAR DAT	05.12.22	H.Y. IM				CHECK	±0.3	SCALE	NONE	H4050A-NDOP02-R	
0	NEW DRAW	05.12.01	H.Y. IM				DESIGN				DESCRIPTION	SHEET
											5.0" TOUCH PANEL	1/1