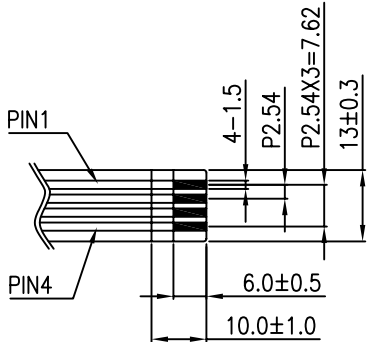
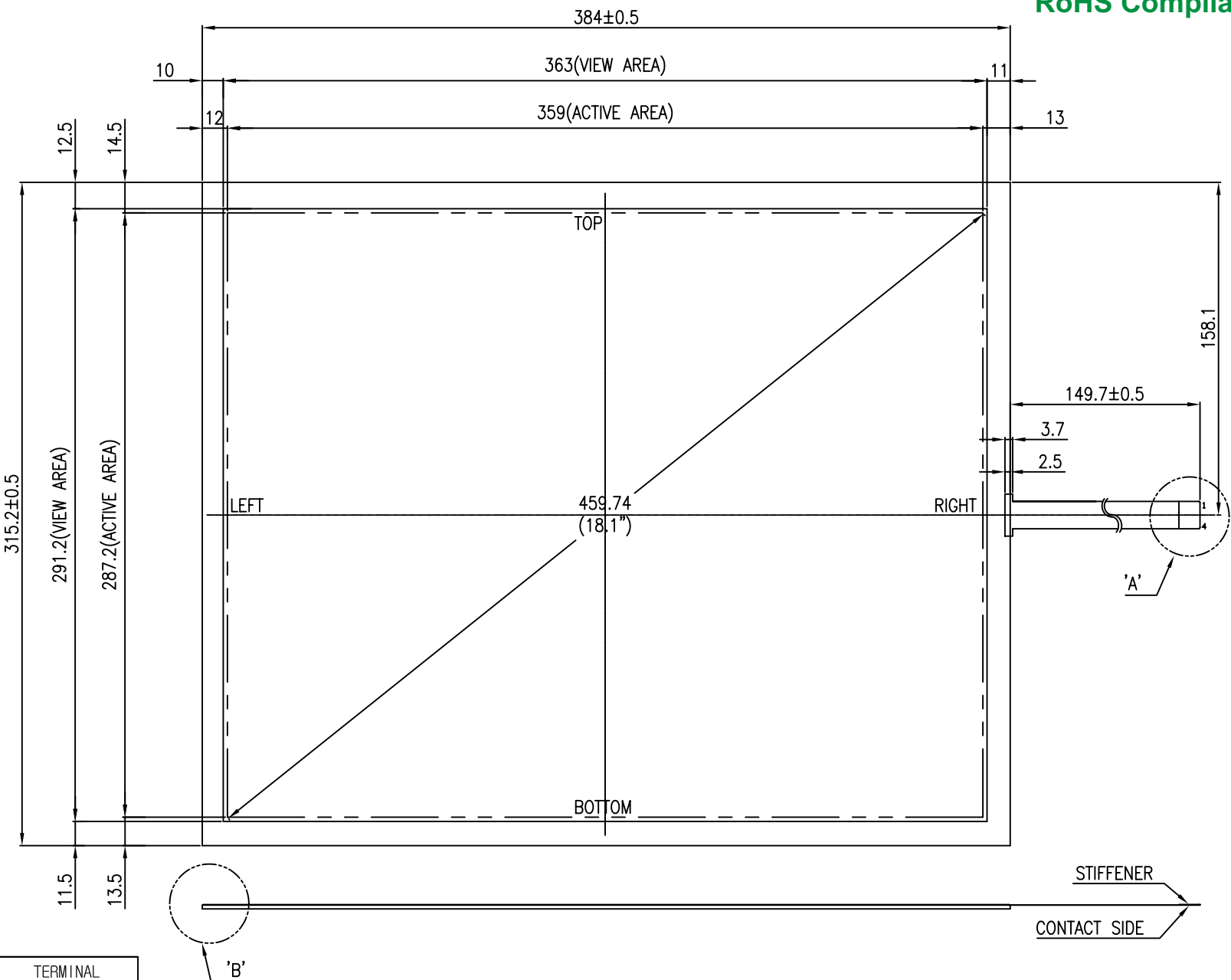
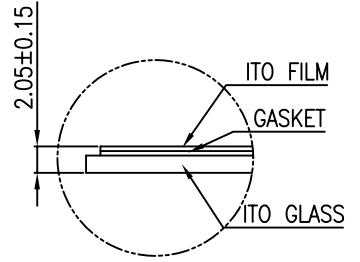


RoHS Compliant

REV.NO.	REVISED	DATE	DRAWN	CHECKED	APPROVED
0	NEW DRAW	02.06.21	WJ.KIM		
1	OUT DIMENSION (388.0X318.2→384.0X315.2)	02.07.09	WJ.KIM		



DETAIL A



DETAIL B

- NOTE
- 1) TYPE : NON-GLARE TYPE
  - 2) GLASS THICKNESS : 1.8t
  - 3) FILM THICKNESS : 175/188μm
  - 4) CONNECTOR : FPC
  - 5) GENERAL TOLERANCE : ±0.3

TERMINAL	
NO	SYMBOL
1	LEFT
2	TOP
3	R GHT
4	BOTTOM

Web-Site @ [www.hantouchusa.com](http://www.hantouchusa.com)

18.1" TOUCH PANEL  
SCALE : NONE

NOTE: The HantouchUSA Incoming Inspection Standard is part of this drawing. This quality and performance document can be viewed at: [www.hantouchUSA.com](http://www.hantouchUSA.com), under Incoming Inspection Standards.

APPROVE		UNIT	mm	PROJECTION	DRAWING NO.	REV.
CHECK		SCALE	NONE		H3181A-NEOFS52	
DESIGN	<i>Kimjia</i>	Han touch USA			DESCRIPTION	SHEET
DRAW		Touch Screen Specialists			18.1" TOUCH PANEL	1/1