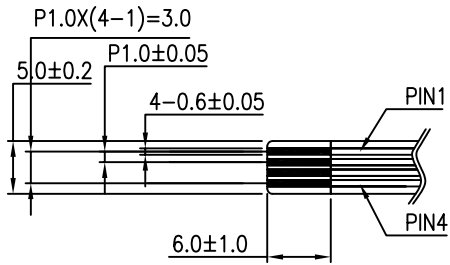


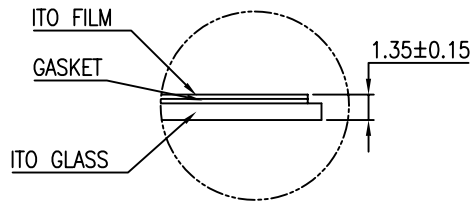
NOTE: The HantouchUSA Incoming Inspection Standard is part of this drawing.
 This quality and performance document can be viewed at:
www.hantouchUSA.com, under Incoming Inspection Standards.

RoHS Compliant

REV.NO.	REVISED	DATE	DRAWN	CHECKED	APPROVED
0	NEW DRAW	03.07.01	KB.KIM		



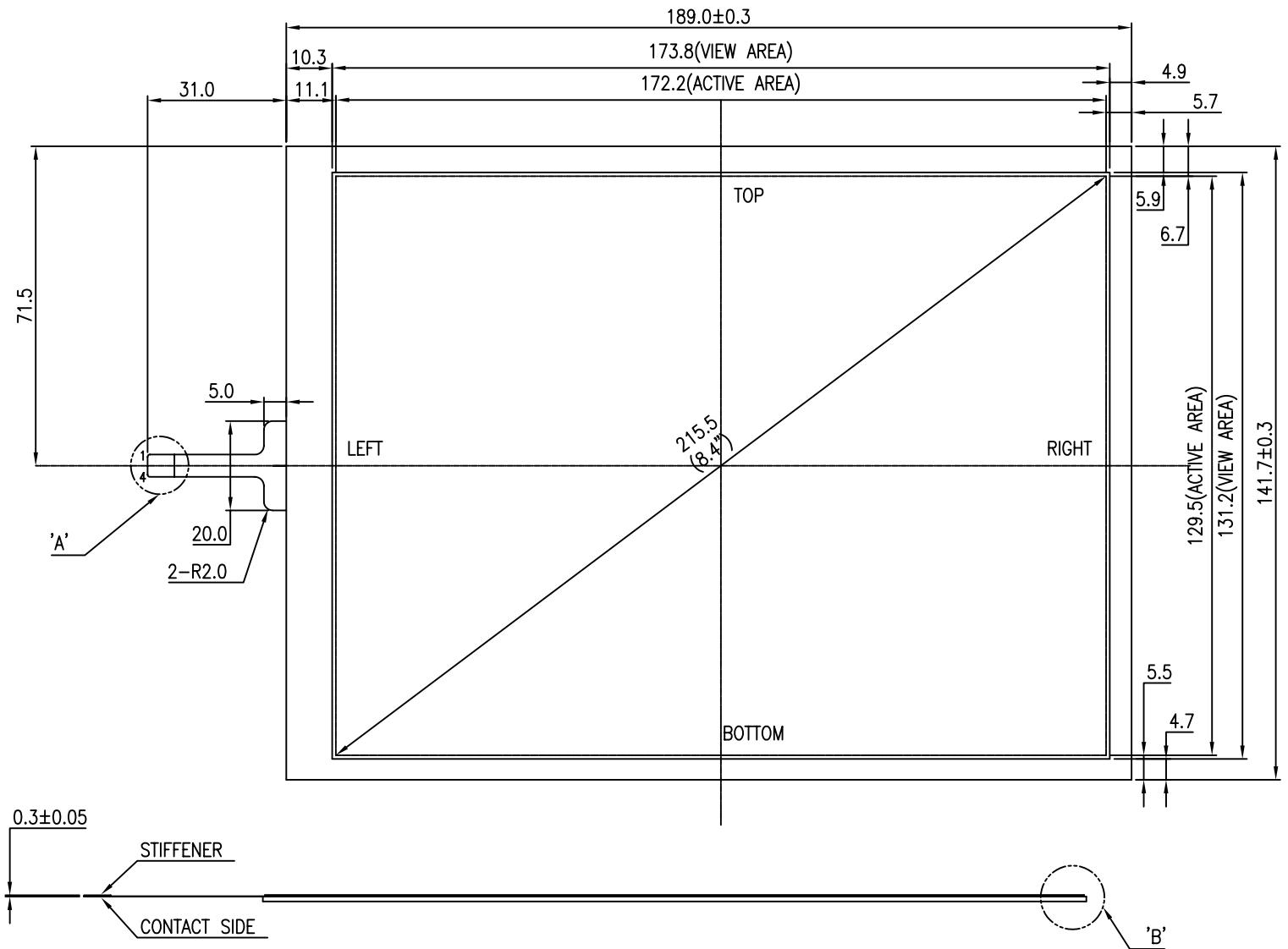
DETAIL A



DETAIL B

NOTE

- 1) TYPE : NON-GLARE TYPE
- 2) GLASS THICKNESS : 1.1t
- 3) FILM THICKNESS : 175/188 μ m
- 4) CONNECTOR : FPC
- 5) GENERAL TOLERANCE : ± 0.3



TERMINAL	
NO	SYMBOL
1	RIGHT
2	TOP
3	LEFT
4	BOTTOM

Web-Site @
www.hantouchusa.com

8.4" TOUCH PANEL

SCALE : NONE

APPROVE		UNIT	mm	PROJECTION	DRAWING NO.	REV.
CHECK		SCALE	NONE		H3084A-NDOFB33	
DESIGN		Han touch USA Touch Screen Specialists			DESCRIPTION	SHEET
DRAW					8.4" TOUCH PANEL	1/1