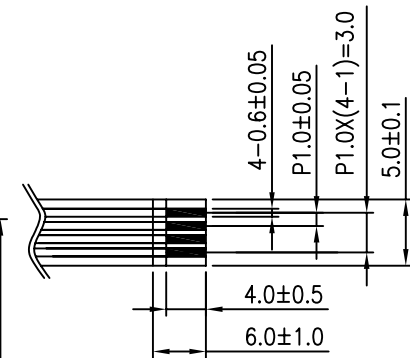
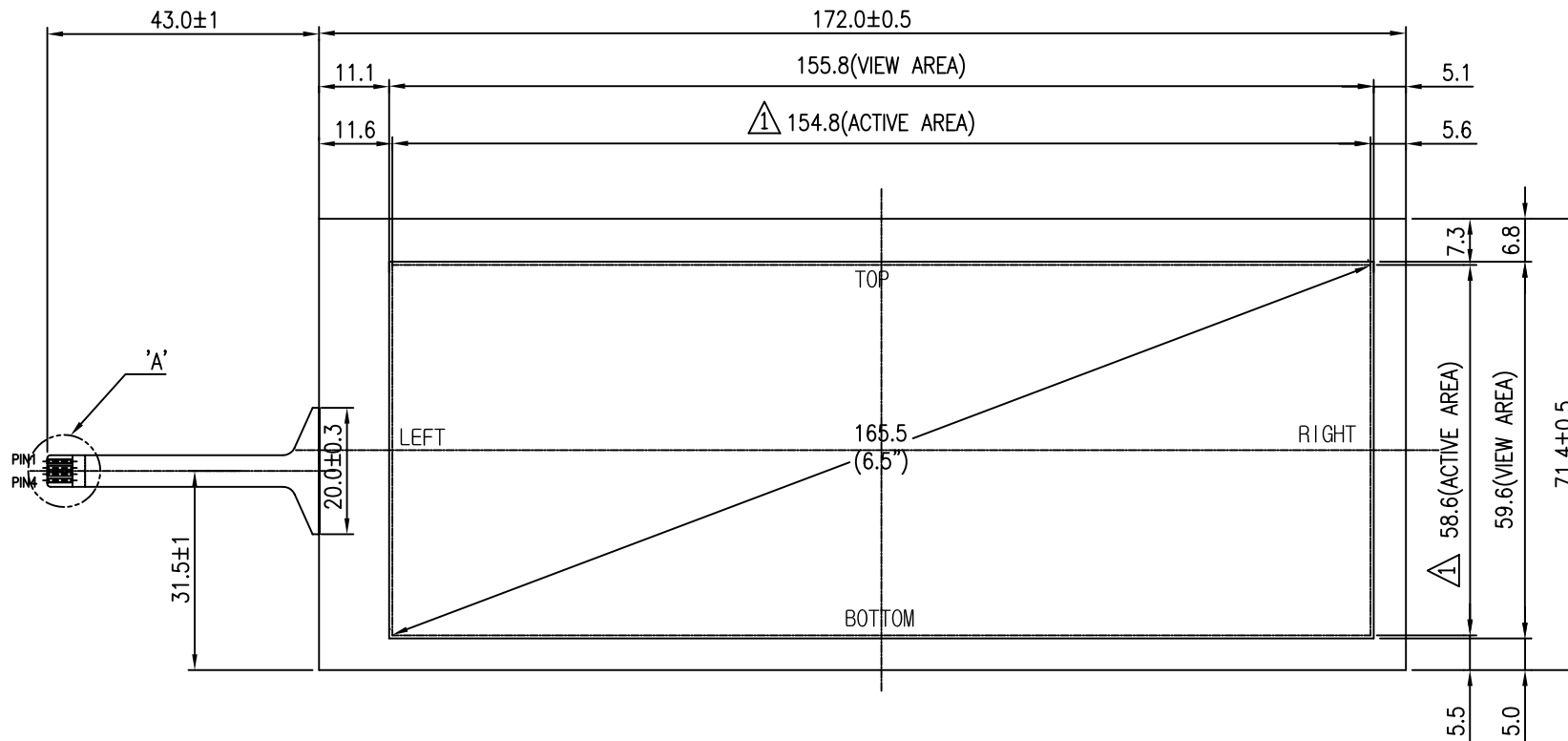


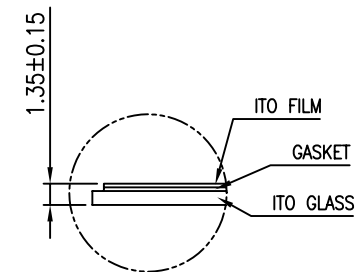
NOTE: The HantouchUSA Incoming Inspection Standard is part of this drawing.
 This quality and performance document can be viewed at:
www.hantouchUSA.com, under Incoming Inspection Standards.

RoHS Compliant

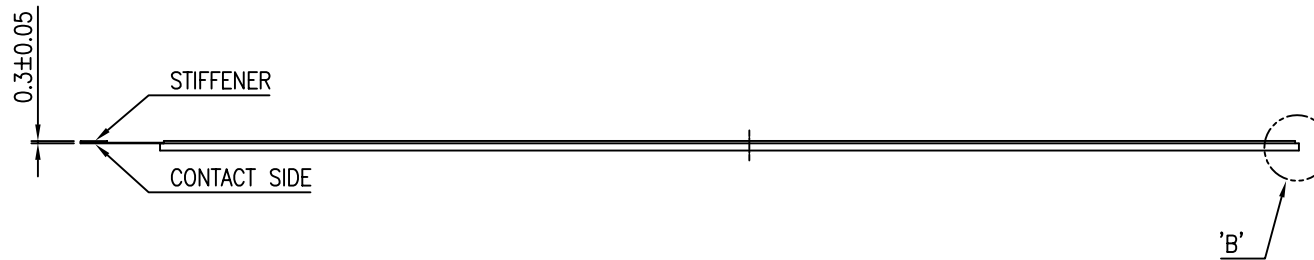
REV.NO.	REVISED	DATE	DRAWN	CHECKED	APPROVED
0	NEW DRAW	01.04.30	WJ.KIM		
1	A/A Change 153.8X57.6→154.8X58.6	01.05.04	WJ.KIM		
2	P/in sign Change LRTB→RTL8	05.03.29	KB.KIM		



DETAIL A



DETAIL B



NOTE

- 1) FILM TYPE : ANTI-GLARE TYPE
- 2) GLASS THICKNESS : 1.1t
- 3) FILM THICKNESS : 175/188 ±10 μ m
- 3) CONNECTOR : FPC

TERMINAL	
NO	SYMBOL
1	RIGHT
2	TOP
3	LEFT
4	BOTTOM

6.5인치 TOUCH PANEL

SCALE : NONE

Web-Site @
www.hantouchusa.com

APPROVE	UNIT	mm	PROJECTION	DRAWING NO.	REV.
CHECK	SCALE	NONE		H3065A-NDOFG45	
DESIGN	<i>Fabrizio</i>	HantouchUSA		DESCRIPTION	SHEET
DRAW		Touch Screen Specialists		6.5" TOUCH PANEL	1/1