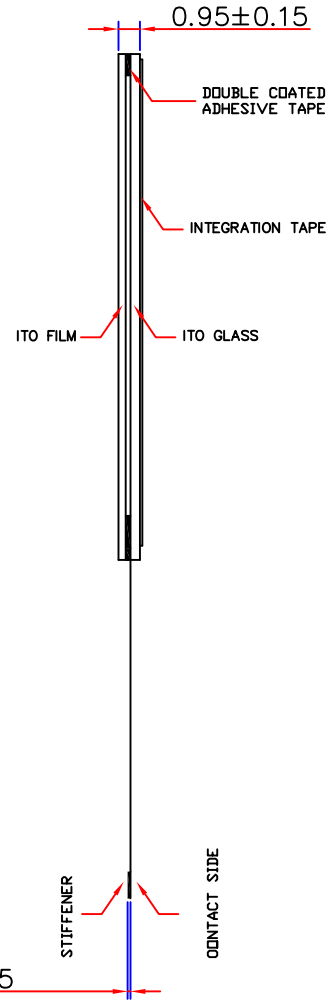
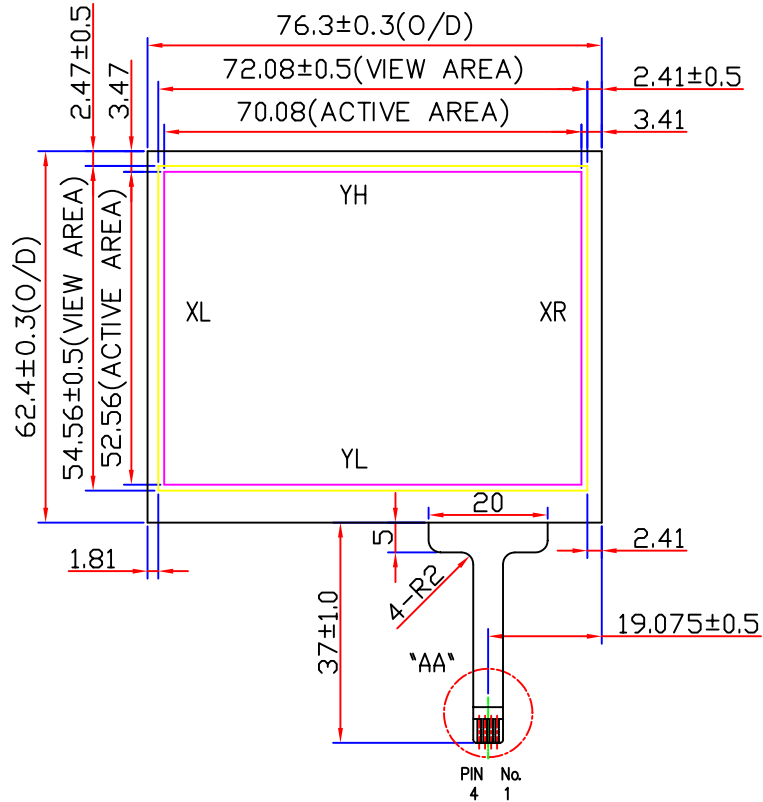


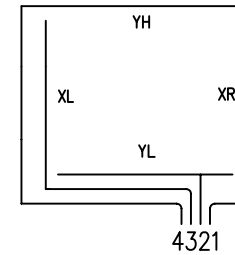
NOTE: The HantouchUSA Incoming Inspection Standard is part of this drawing. This quality and performance document can be viewed at: www.hantouchUSA.com, under Incoming Inspection Standards.



REMARK

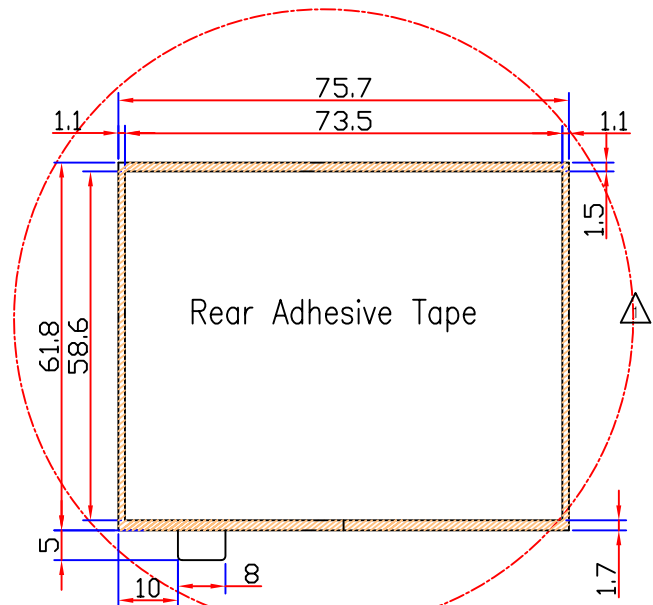
- 1.Glass Thk: 0.7mm
- 2.Film Type: Clear
- 3.Total Thk: 0.95±0.15
- 4.Linearity: ±1.8% or less
- 5.Transmittance: 80% or more
- 6.Resistance
200<Glass(Y)<900 ohm
200<Film(X)<900 ohm
- 7.Connector: FPC

CIRCUIT DIAGRAM

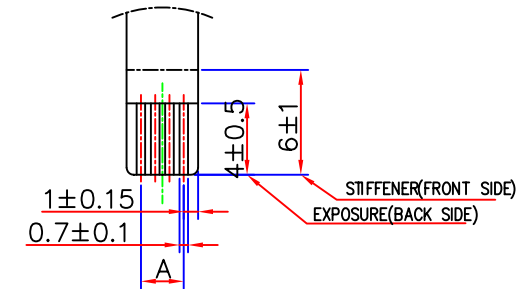


SIGNAL ASSIGNMENT

Pin No	Signal
1	XR
2	YL
3	XL
4	YH



Detail "AA"



A=P1.0*3=3.0±0.1

Web-Site @ www.hantouchusa.com

REV.No.	REVISED	DATE	DRAWN	CHECKED	APPROVED	DRAW	UNIT	mm	PROJECTION	DRAWING NO.	REV.
1	ADD -> DOUBLE TAPE	05.06.27	K.B.KIM				SCALE	NONE		H3035A-NCOOA39-R	
0	NEW DRAW	05.06.17	K.B.KIM								
Han touch USA Touch Screen Specialists										DESCRIPTION	SHEET
										3.5TOUCH PANEL	1/1